



STYLA  
WALL PROTECTION

ENG



# INDEX

<b>OUR IDENTITY</b>		04
life - blend	TECHNICAL CHARACTERISTICS	06
life - blend	BACTERICIDE AND BACTERIOSTATIC	10
<b>EUROPEAN FIRE RATING</b>		12
<b>CE MARKING on SH WALL SHEETS</b>		13
life - blend <b>DIP PRINT®</b>	BEYOND WOOD	14
life - blend	COLORS RANGE	18
<b>WALL SHEETS AND STRIPES</b>	SH - SHP - SK.100 - DC   DH	22
<b>HANDRAILS</b>	H.40 - HL.40 - AHL.40 - YHL.40 - WHL.40 YWHL.40 - HWS.34 - HS.34	32
<b>BUMPER HANDRAILS</b>	BH.140 - BH.170 - WBH.170 BH.140ANTILIG - BH.170ANTILIG	50
<b>BUMPER GUARDS</b>	B.110 - B.125 - WB.125 - B.200 P.200 - P.200L - BS.100 BS.200 - HC.250	62
<b>CORNER GUARDS</b>	CG.55 - CG.75 - CGLW - CGS - CGL - CGR	80
<b>ITEM SPECIFICATIONS</b>		94

## WE ARE **BIM** READY

Free download BIM files (Revit - Archicad)  
of our wall protections  
<https://www.styla.styla.it/products-wall-protections/?lang=en>



# OUR IDENTITY

---



## **PVC FREE** for over 10 years

For over 10 years we have been producing products without PVC, PBT or halogen additives.



## **100%** MADE IN ITALY

Goods completely realized in Italy, from raw materials to finished products.



## **GREEN** COMPANY

We are a Company with a low environmental impact, able to offer eco-friendly products.



## **RENEWABLE** **ENERGY** SELF-PRODUCED

Low impact energetic production thanks to our 100kw photovoltaic system.



## **ZERO** WASTE

Recycling production waste by producing materials for non-sanitary uses.



## **REMADE** IN ITALY

Aluminium waste is recycled according to REMADE IN ITALY certification, offering CAM-COMPLIANT products.





## EUROPEAN FIRE RATING

Life-blend® is certified according to European standard procedure given by EN 13501-1 references, reaching euroclass fire rating of "Bs 1 D0", the best for plastic materials.



## NON-TOXIC FUMES

Life-blend® is designed to avoid the emission of toxic fumes being PVC-free, it does not contain halogen, bromine, chlorine and phthalates.



## SELF EXTINGUISHING

Life-blend® is a self-extinguishing material, it does not contain brominated or halogenated retardants



## CHEMICALS RESISTANT

Life-blend® ensures a high-level resistance to chemical agents.



## UV RESISTANT

Life-blend® is stabilized and highly resistant to UV and aging.



## HIGH-IMPACT TESTED

Life-blend® products are designed to withstand impacts, scratches and gouges.







## ECO-FRIENDLY AND RECYCLABLE

Life-blend® products are designed to be recycled at the end of their life cycle.



## SUSTAINABILITY

In order to reduce environmental impact and improve eco-sustainability, Styla products achieved REMADE IN ITALY certification, ensuring the use of recycled aluminium in its products.



## MEDICAL USE CERTIFIED

Life-Blend® is suitable in the medical field since it is bacteriostatic (they prevent bacterial proliferation). The bactericide version is also available on request (they actively eliminate the bacterial load from their surface).



## EASY CLEAN

Life-blend® is an easy to clean, non porous material.

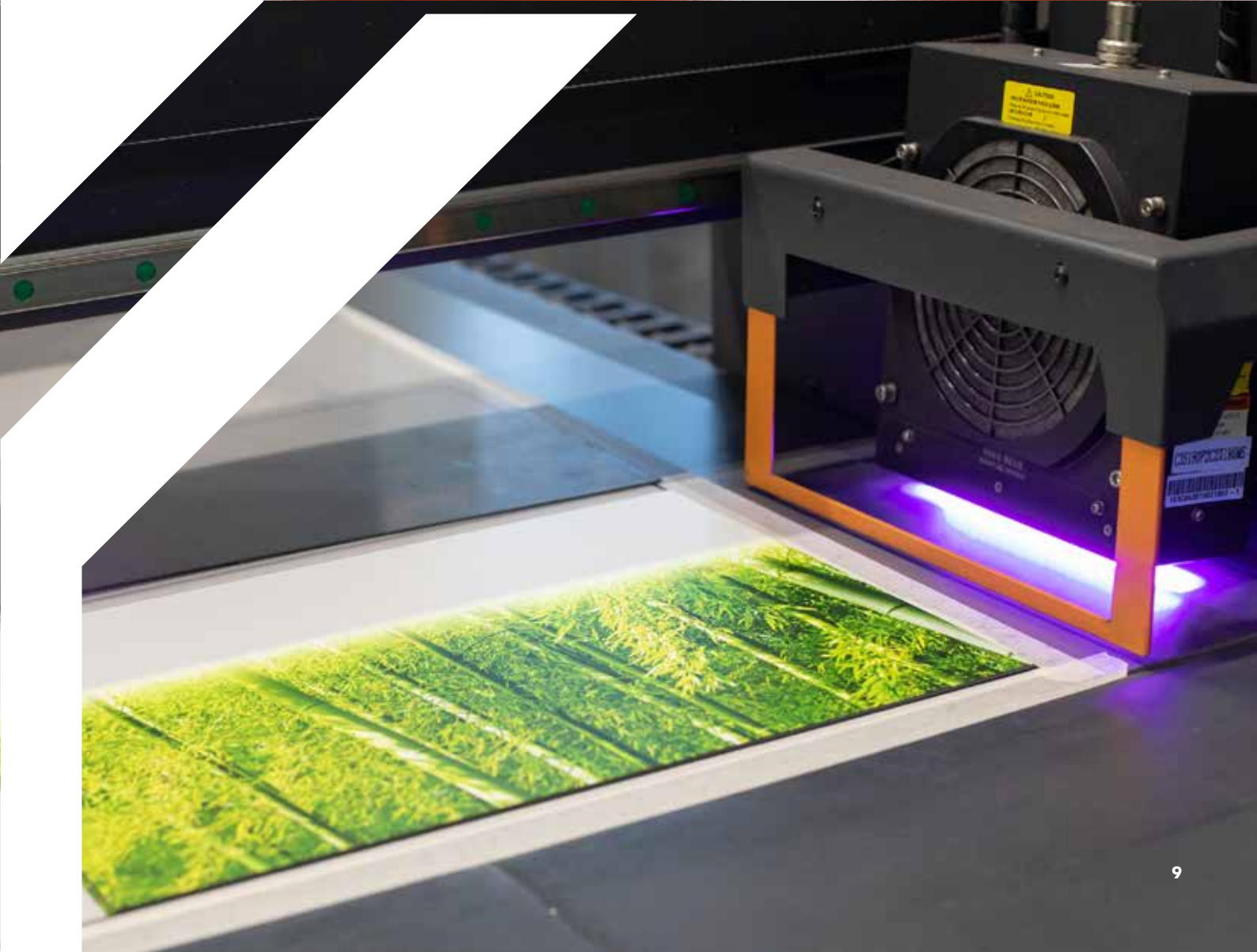


## NON-TOXIC

Life-Blend® doesn't harm people's health being VOC certified (it doesn't emit dangerous volatile organic compounds\*).

\* Formaldehyde, acetaldehyde, toluene, tetrachloroethylene, xylene isomers, trimethylbenzene, dichlorobenzene, ethylbenzene, butoxyethanol, styrene, benzene, trichloroethylene.





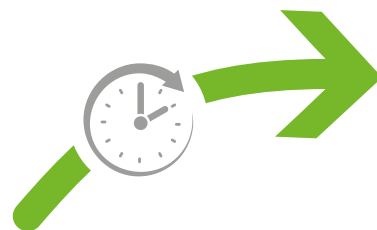
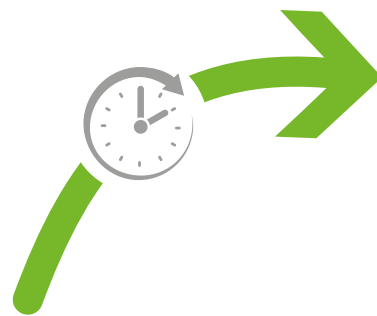
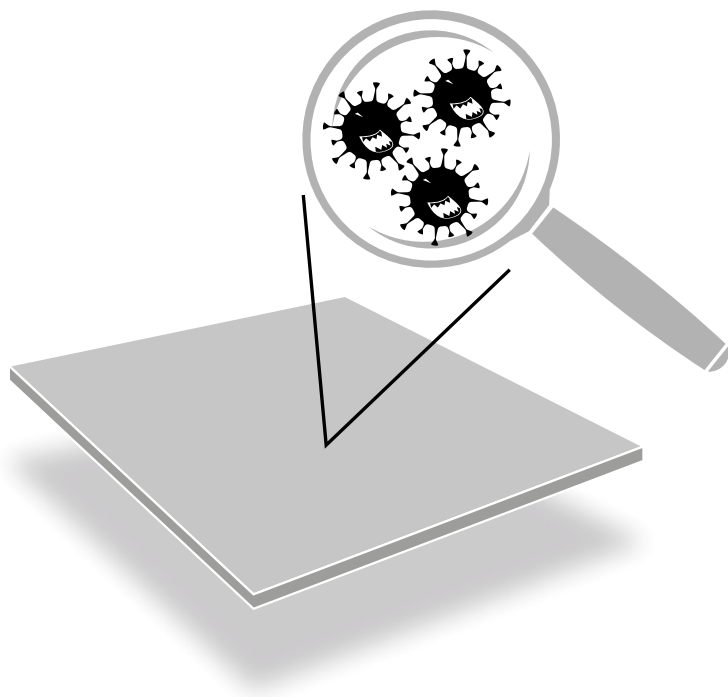
# BACTERICIDE and BACTERIOSTATIC

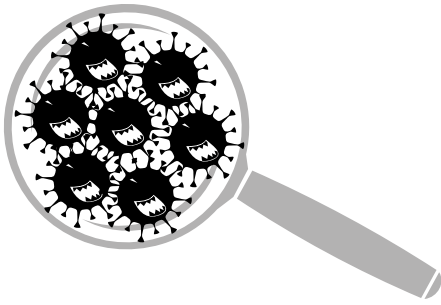
---

## life - blend®

Viruses and bacteria are usually present on surfaces and represent a huge risk for health, especially in the medical field.

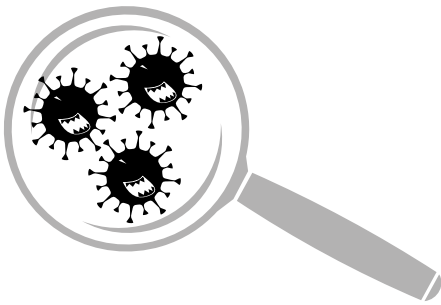
Life-blend® offers a valid help against infections thanks to its BACTERIOSTATIC AND BACTERICIDE formulation.





## COMMON SURFACES

Common surfaces don't act as a barrier against bacteria proliferation.



## Life-blend® BACTERIOSTATIC

Being BACTERIOSTATIC, Life-blend® is suitable to be used in the medical field, stopping bacteria proliferation on surfaces.



## Life-blend® BACTERICIDE

Life-blend® is also available in the BACTERICIDE version, which is able to eliminate all the bacterial load present on his surface thanks to the use of an ISO 22196:2011 certified silver ion additive.\*

This formulation can be a strong ally in prevention of hospital infections and in all areas that need a constant and perfect hygienization.



\* Against common organisms such as: Campylobacter, E. coli, Listeria, MRSA, Pseudomonas, Salmonella.

The growth of this bacteria is proved to be reduced up as 99,99%.





## FIRE REACTION: LET'S TALK ABOUT IT

In the wall protection field, the legislation about Fire reactions is one of the most important; but, what are the meanings of all acronyms we see on products?

Let's make things clear:

First of all there are two different main legislations, the US and the EUROPEAN one:

- The US legislation is based on UL 94 flammability standard, ranging from HB (slow burning on a horizontal part) to V0 (burning stop within 10 seconds).
- The European legislation (EN 13501-1) has three main indicators:
  - 1) Combustibility, from A (incombustible) to F (combustible and easy flammable);
  - 2) Fumes production, from S1 (low on fumes production) to S3 (no limit on fumes production);
  - 3) Dripping, from D0 (no drip or firewalls) to D2 (no limit on dripping or firewalls).

To guarantee the highest quality and safety, Styla only produces its wall protections with the highest certification possible for plastic materials :

	<b>B</b>	<b>S1</b>	<b>D0</b>
EUROPE:	The HIGHEST resistance to FIRE	The LOWEST fumes emission.	NON flammable particles



## CE MARKING

CE marking is a guarantee of quality and respect of European legislations.

Our SH wall sheets comply with all European regulations about wall protections (EN 15102:2007+A1:2011) to guarantee our customers a safe and non-toxic product free from substances such as vinyl, heavy metals and formaldehyde.

 <b>STYLA S.R.L.</b> Via Enrico Fermi 52/o, 24035 Curno (BG), Italia	
21	
<b>Rivestimento murale SH in Life-blend®</b>	
Classe di reazione al fuoco	<b>B-s1,d0</b> Incollato su supporto incombustibile
Rilascio di formaldeide	A+ (< 2 mg/m <sup>3</sup> )
Rilascio di sostanze pericolose:	
– metalli pesanti ed elementi specifici	Assente
– diossidi di vinile monomero (CVM)	Assente
Assorbimento acustico	NPD = Nessuna Prestazione Determinata
Resistenza termica	NPD = Nessuna Prestazione Determinata
EN 15102:2007+A1:2011	
DoP n.: SH - 01 - 2021	

## LIFE-BLEND® and PVC comparing: they seem similar but...

These days we are surrounded by infinity of plastic goods, but only few people know that with “plastic” is meant an endless variety of very different molecules. In the Wall protection world, PVC (polyvinylchloride) is one of the most used materials, being able to reach great fire resistance results at an affordable price.

However, there is a problem.

PVC, during combustion, releases hydrochloric acid molecules (HCL) and chlorine acid atoms, extremely toxic for humans if inhaled.

Compounding all this is the fact that to enhance the

characteristic of PVC, is common to add halogens and fluorides. These molecules improve its fire resistance as well as being extremely toxic.

To overcome these hazards, Styla has decided to use Life-Blend, a special blend of polycarbonate (PC) not containing chlorine or other chemicals dangerous for humans and the environment. All this in order to obtain a safe and an environmental friendly product.



## DO YOU WISH THE WARMTH OF A WOODEN PRODUCT BUT YOU NEED MEDICAL GUARANTEES AND A BETTER FIRE RESISTANCE?

Finally we can combine wooden and textured finishes with the versatility of modern wall protections systems.

These innovative products offer the same medical guarantees (bacteriostatic and bactericide) and characteristics as the Life-Blend® solid colour ones , as well as being ecological, recyclable and easy to clean.



## UNIQUE PRODUCTS WITH REALISTIC EFFECTS

This particular technology can be applied both on profiles and on whole components, perfectly reproducing the 3D texture over the component without any seams.

For a better realism, this innovative DIP PRINT® technology can create uniques and original pieces, since the decoration will appear a little different on every element avoiding the creation of clones, like the traditional print or pad printing.



Life-blend® DIP PRINT® is available for:

<b>WHL.40</b>	WOOD EFFECT LIGHT HANDRAIL	Page 42
<b>WBH.170</b>	WOOD EFFECT BUMPER HANDRAILS	Page 56
<b>WB.125</b>	WOOD EFFECT BUMPER GUARDS	Page 68
<b>WCGL.25</b>	WOOD EFFECT CORNER GUARDS	Page 88

# DIP PRINT®

---

## COLORING ONLY WITH WATER STRENGHT

To create its wood effect products, Styla employs the DIP PRINT® technology.

During the immersion in the tank through **hydrostatic pressure**, a **thin layer of inks** completely wraps the profiles and components. This unique kind of technology allows the finishing of all profiles in their entirety, perfectly reproducing any wood, metallic, marbled and decorative texture.

Styla choose this process according to its company policy, where the **products quality** has the priority, as well as their **eco-sustainability**.



## QUALITY

At first, the DIP PRINT® technology was born to fulfil the nautical furniture requests, where the furniture perfection must be joined by furniture lightness. DIP PRINT® technology assures great realistic results, both on bars and accessories, without any anaesthetic wrinkles or adapted cuts.

## ECO-SUNSTAINABILITY AND SECURITY

The DIP PRINT® process creates very little waste and don't use environmental dangerous compounds. Therefore, every product is completely safe in any fire critic situations.

## WE DON'T USE PVC FILMS

Unlike other competitors, Styla offers wall protection with superiors finishes without the use of PVC films: these ones, even though they are cheaper, have a low final yield quality.



## ENDLESS CHROMATIC COMBINATIONS

To obtain vibrant and pleasant chromatic combinations, you can choose from our wide color range. With the right combinations you can achieve different and sophisticated final effects: elegant and refined, modern or classic, color coordinated delicate compositions, classic solid color or impactful chromatic contrasts.



The color rendering in this catalogue is for guidance only; please refer to our physical color swatches.



Custom finishes on request.



To learn about our minimum quantities and delivery times, please contact our Sales Office.





## READY AVAILABLE COLORS



**916**  
SNOW



**910**  
BEIGE



**524/3**  
PASTEL BLUE



**735**  
GRAVEL



**737**  
DUST

## STANDARD COLORS



**690**  
LIME



**619**  
AQUAMARINE



**627**  
TURQUOISE



**633**  
MINT



**524/1**  
LIGHT BLUE



**115**  
IVORY



**901**  
CREAM



**704**  
SMOKE



**409**  
TAUPE



**510**  
GENTIAN



**1205**  
CANARY



**203**  
CORAL

## COLORS ON REQUEST



**502**  
PINK



**521**  
MAUVE



**797**  
RED



**202**  
RUBY



**157**  
PEACH



**761**  
CHOCOLATE



**605**  
MUSK



Custom **COLORS** e **FINISHES** on request.

# COLORS RANGE

life - blend®

## HANDRAIL WOOD EFFECT

life - blend®



**W01**  
WHITE OAK



**W02**  
BIRCH



**W03**  
BEECH



**W04**  
GREY OAK



**W05**  
NUT



**W06**  
WENGÉ

## HANDRAIL NATURAL WOOD



**ASH**



**CUSTOM FINISHES**  
on request



# WALL SHEETS AND STRIPES

---

Protection, Creativity and Design.

This is what Styla wall sheets and stripes offer.

Ideal to offer a valid protection to furnish rooms and areas.



Life-blend® protection wall sheets, non-toxic and antibacterial, available in different sizes.

## SH

---

### *SIMPLICITY AND ELEGANCE*

Styla wall sheets are the best solution to protect walls. Available in the Styla range of colors, they allow the creation of a continuous coating, compatible with all the other Styla products.

## DC | DH

---

### *DOOR AND HANDLES AREAS PROTECTION*

Protective elements coming from the Life-Blend® sheets trim, non-toxic and antibacterial. Total or partial door wrapping. On request, is possible to totally or partially wrap the doorjamb.

## SHP

---

### *CREATIVITY AND INNOVATION*

Life-blend® wall protection to secure your walls: transparent, non-toxic and antibacterial, available in different dimension and decorated with high quality digital print on the inside: there's no limit to creativity!

## SK.100

---

### *FOR THE FINISH OF YOUR ENVIRONMENTS*

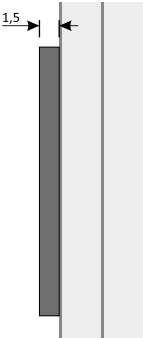
The Styla skirting board in Life-Blend is perfect for completing your sanitary environments, guaranteeing maximum hygiene and resistance. Available in the entire Styla color range, it is perfectly compatible with SH and SHP sheets, guaranteeing a perfect wall finish.







Styla wall sheets are the best solution to protect walls. Available in the Styla range of colors, they allow the creation of a continuous coating, compatible with all other Styla products.

	<b>SH.25.1300</b>	1300 X 2500 mm
	<b>SH.T650</b>	650 X 2500 mm
	<b>SH.T400</b>	400 X 2500 mm
	<b>SH.T300</b>	300 X 2500 mm
	<b>SH.T250</b>	250 X 2500 mm
	<b>SH.T200</b>	200 X 2500 mm
	<b>SH.T150</b>	150 X 2500 mm
	<b>SH.T100</b>	100 X 2500 mm



Closing profiles  
available



Suitable for  
curved walls



Shapeable



These two types of sheets  
can be combined

## JUNCTION

SH sheets can be glued side by side to create a single surface, or they can be joined using a suitable extruded profile and also further finished with a perimetral profile, available in the same color or in color contrast.



## Life-blend®

- Fire reaction B s1 d0
- Self-extinguishing
- PVC-free
- Non-toxic fumes
- Medical use
- VOC non-toxic certified

Tech sheet Life-blend® → Page 08

Life-blend® Colors → Page 18



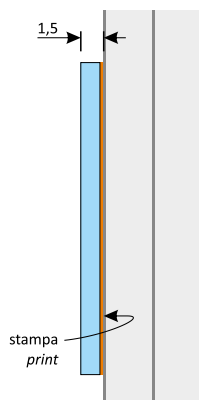
# PRINTED WALL SHEET

## SHP

Life-blend® PVC Free



Life-blend® wall protection to secure your walls: transparent, non-toxic and antibacterial, available in different dimension and decorated with high quality digital print on the inside: there's no limit to creativity!



<b>SHP.25.1300</b>	1300 X 2500 mm
<b>SHP.T650</b>	650 X 2500 mm
<b>SHP.T400</b>	400 X 2500 mm
<b>SHP.T300</b>	300 X 2500 mm
<b>SHP.T250</b>	250 X 2500 mm
<b>SHP.T200</b>	200 X 2500 mm
<b>SHP.T150</b>	150 X 2500 mm
<b>SHP.T100</b>	100 X 2500 mm



Closing profiles  
available



Suitable for  
curved walls



Printable



Shapable



These two types of  
sheets can be combined

## JUNCTION

These sheets can be glued side by side to create a single surface or, they can be joined using a suitable extruded profile and also further finished with a perimetral profile, available in the same color or in color contrast.

## Life-blend®

- Fire reaction B s1 d0
- Self-extinguishing
- PVC-free
- Non-toxic fumes
- Medical use
- VOC non-toxic certified

Tech sheet Life-blend® → Page 08  
Life-blend® Colors → Page 18



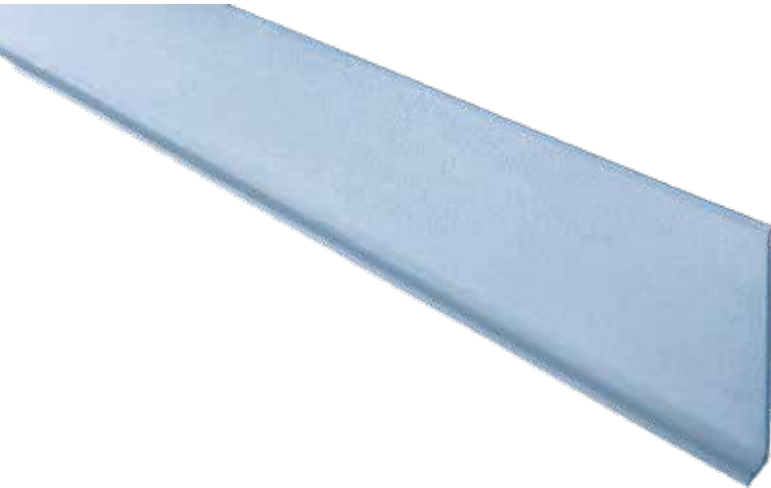




# SKIRTING

## SK.100

Life-blend® PVC Free



Protective skirting SK.100 in Life-Blend®, with sanitary, non-toxic, antibacterial cove floor/wall connection, with a height of 100 mm.

### SMOOTH FINISH

Skirting board with smooth finish for perfect cleaning and hygiene.

### CONTINUOUS PROFILE

Accessories available to provide a continuous finish profile in Life-Blend®.

### Life-blend®

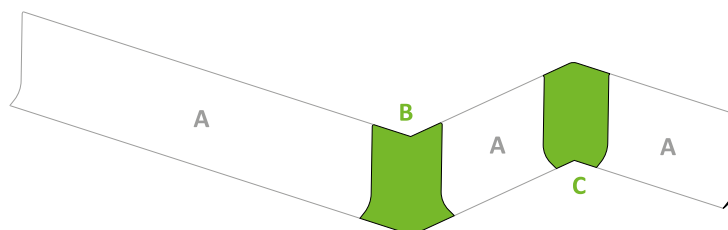
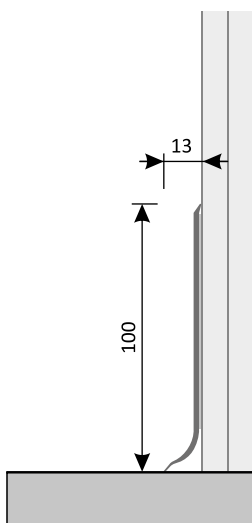
- Fire reaction B s1 d0
- Self-extinguishing
- PVC-free
- Non-toxic fumes
- Medical use
- VOC non-toxic certified

Tech sheet Life-blend® → Page 08

Life-blend® Colors → Page 18

### STANDARD LENGTHS AND FIXING

- Maximum bar length: 2.5 m
- Wall fixing using Styla adhesives and sealants



### IMPACT RESISTANCE

**A** Life-Blend® glued to the wall.

### PROFILE CONTINUITY

**B** External corner in Life-Blend®

**C** Internal corner in Life-Blend®





# DOOR PROTECTIONS

## DC | DH

Life-blend® PVC Free



Protective elements made from Life-Blend® sheets, non-toxic and antibacterial. Total or partial door wrapping. On request, is possible to totally or partially wrap the doorjamb.

<b>DH.600</b>	Ø 600 mm
<b>DH.500</b>	Ø 500 mm
<b>DH.400</b>	Ø 400 mm
<b>DC</b>	customized

### EMBOSSED FINISH

Slightly embossed finish for maximum resistance to scratches and bumps.

### CUT TO MEASURE

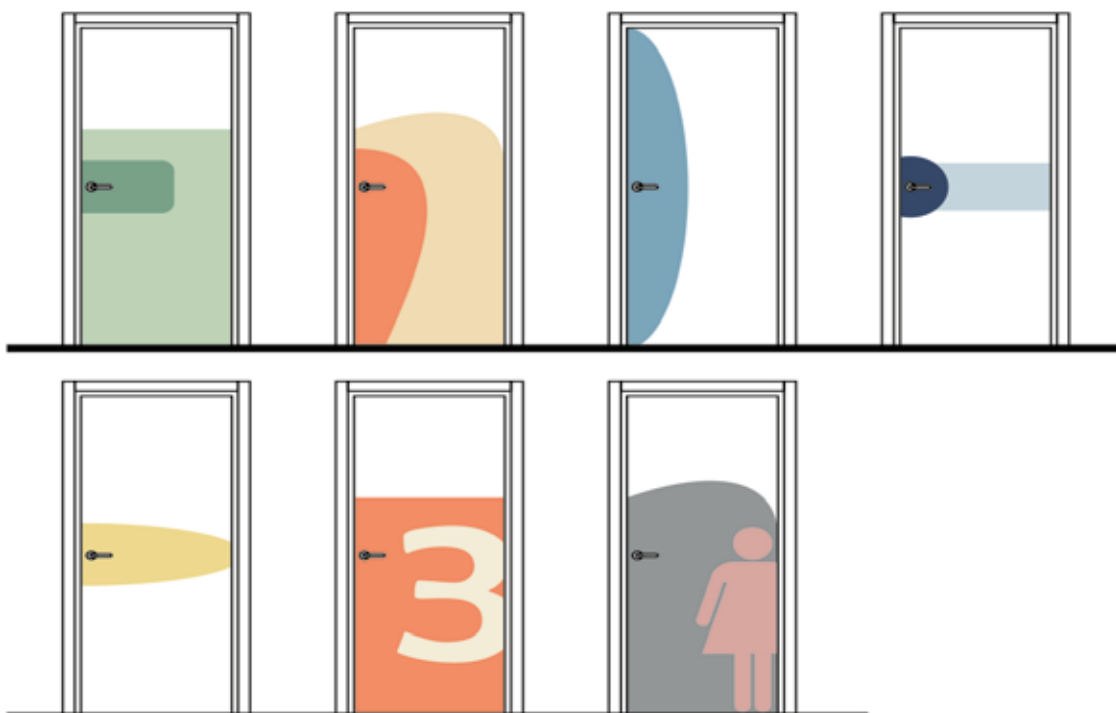
Styla door guards can be shaped according to the sizes provided by the customer.

### Life-blend®

- Fire reaction B s1 d0
- Self-extinguishing
- PVC-free
- Non-toxic fumes
- Medical use
- VOC non-toxic certified

Tech sheet Life-blend® → Page 08

Life-blend® Colors → Page 18





# HANDRAILS

---

Safety, Support and Design: This is what Styla handrails can offer.

Ideal for guaranteeing valid continuous support in the hallways and stairs of your structures.

Styla handrails are produced with a perfectly smooth finish, to ensure the best comfort and maximum hygiene in any environment.

Available in various sizes, materials and finishes to satisfy the design and functionality requests of every designer.



## H.40

### CLASSIC DESIGN AND RESISTANCE

Ø 40 mm Life-blend® handrail with its classic design, completed with tubular wall supports and circular fixing plates.

Available in Life-blend® color range.

## AHL.40 | YHL.40

### THE FINE COMBINATION BETWEEN COLOR AND ALUMINIUM

Ø 40 mm handrail in colored Life-blend®, with aluminium wall brackets.

Available in Life-blend® color range.

## HWS.34

### TOP ELEGANCE: TRUE WOOD AND STAINLESS STEEL

Ø 34 mm handrails in true wood with accessories in AISI 304 stainless steel.

## HL.40

### ORIGINAL WALL BRACKET

Ø 40 mm Life-blend® handrail characterized by a particular wall bracket and hidden fixing screws. Available in Life-blend® color range.

## WHL.40 | YWHL.40

### FINE COMBINATION BETWEEN WOODEN/MATERIAL EFFECT AND ALUMINIUM

Ø 40 mm Life-blend® handrail decorated with a wooden effect or a material one, aluminium wall brackets.

Available in Dip-Print® color range.

## HS.34

### THE TOP RESISTANCE: STAINLESS STEEL

Ø 34 mm handrail completely created with AISI 304 stainless steel.



## H.40

HANDLE DIAMETER  
BAR

ø 40 mm

in **Life-blend®** with aluminium.

WALL BRACKETS

in **Life-blend®** with 3 fixing screws.



## HL.40

HANDLE DIAMETER  
BAR

ø 40 mm

in **Life-blend®** with aluminium core.

WALL BRACKETS

in **Life-blend®** with 2 fixing screws.



## AHL.40

HANDLE DIAMETER  
BAR

ø 40 mm

in **Life-blend®** with aluminium core.

WALL BRACKETS

in aluminium with 2 fixing screws.



## YHL.40

HANDLE DIAMETER  
BAR

ø 40 mm

in **Life-blend®** with aluminium core.

WALL BRACKETS

in **die-cast aluminum** with 2 fixing screws.



## WHL.40

HANDLE DIAMETER  
BAR

ø 40 mm

in **Life-blend®** with wooden/materic Effect (**Dip-Print®**) with aluminium core.

WALL BRACKETS

in **aluminium** with 2 fixing screws.



## YWHL.40

HANDLE DIAMETER  
BAR

ø 40 mm

in **Life-blend®** with aluminium core.

WALL BRACKETS

in **die-cast aluminum** with 2 fixing screws.



## HWS.34

HANDLE DIAMETER  
BAR

ø 34 mm

True wood

WALL BRACKETS

In stainless steel AISI 304 with 3 fixing screws.



## HS.34

HANDLE DIAMETER  
BAR

ø 34 mm

Stainless steel AISI 304

WALL BRACKETS

In stainless steel AISI 304 with 3 fixing screws.



# HANDRAIL

## H.40

Life-blend® PVC Free



With a classic and sturdy design, the H.40 handrail with aluminium core,  $\varnothing$  40 mm handle and tubular wall brackets in Life-Blend, is ideal for a strong wall support, thanks to the 3-hole plate fixing for both end-caps and wall brackets. Can also be installed on plasterboard walls with double sheet.

### SMOOTH FINISH

Handrail with a smooth finish to guarantee perfect hygiene and cleanliness.

### CONTINUOUS PROFILE

Various accessories available to offer a continuous and sturdy bar, in aluminium wrapped with Life-blend®, to ensure the highest sustain and security in your stairs and hallways.

### BOTTOM CLOSURE

Various accessories available to offer a continuous and sturdy bar, in aluminium wrapped with Life-blend®, to ensure the highest sustain and security in your stairs and hallways.

### Life-blend®

- Fire reaction B s1 d0
- Self-extinguishing
- PVC-free
- Non-toxic fumes
- Medical use
- VOC non-toxic certified

Tech sheet Life-blend® → Page 08

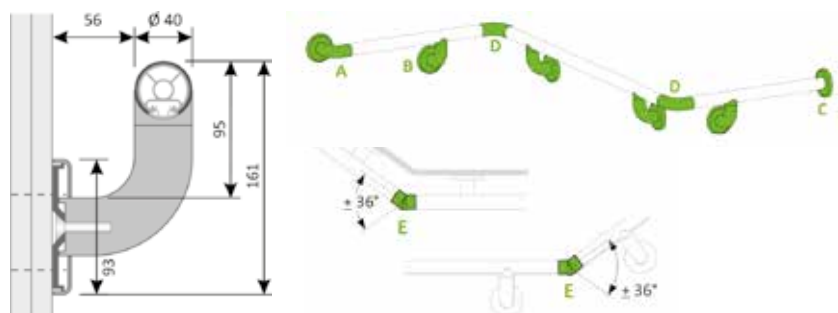
Life-blend® Colors → Page 18

### STANDARD LENGHT AND FIXING

- Maximum bar length: 5 mt
- Maximum wheelbase between brackets: 950 mm
- End caps to be wall fixed.

### CERTIFICATION REMADE IN ITALY

The product complies with the "Remade in Italy" specification, making the product compliant with the minimum environmental criteria (CAM) and contributing to the sustainability of buildings according to LEED standards.



### GREAT RESISTANCE

- A** Life-blend® disk bracket endcaps with 3 fixing not in sight.
- B** Life-blend® wall support with 3 fixing not in sight.
- C** Life-blend® plates with 3 fixing not in sight.

### HANDRAIL CONTINUITY

- D** Life-blend® internal and external angles.
- E** Life-blend® adjustable joints.  
Ideal for special angles and stairs.



# HANDRAIL HL.40

Life-blend® PVC Free



The Styla HL.40 handrail is the solution for a sturdy and simple handrail, thanks to its aluminium core with 40 mm diameter.

The shaped wall support allows a not-in-sight fixing with an original design.

## SMOOTH FINISH

Handrail with a smooth finish to guarantee perfect hygiene and cleanliness.

## CONTINUOUS PROFILE

Various accessories available to offer a continuous and sturdy bar, in aluminium wrapped with Life-blend®, to ensure the highest sustain and security in your stairs and hallways.

## BOTTOM CLOSURE

The horizontal handrail bar is free from the bottom closure profile to guarantee a secure handle and a better surface cleaning.

## Life-blend®

- Fire reaction B s1 d0
- Self-extinguishing
- PVC-free
- Non-toxic fumes
- Medical use
- VOC non-toxic certified

Tech sheet Life-blend® → Page 08

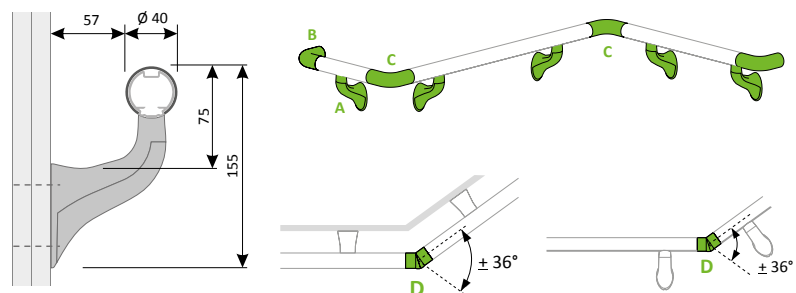
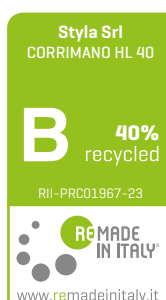
Life-blend® Colors → Page 18

## STANDARD LENGHT AND FIXING

- Maximum bar length: 5 mt
- Maximum wheelbase between brackets: 800 mm
- A reinforcement in plasterboard walls is recommended.

## CERTIFICATION REMADE IN ITALY

The product complies with the "Remade in Italy" specification, making the product compliant with the minimum environmental criteria (CAM) and contributing to the sustainability of buildings according to LEED standards.



## GREAT RESISTANCE

- A** Life-blend® bracket with 2 fixings not in sight.

## HANDRAIL CONTINUITY

- B** Life-blend® end caps.
- C** Life-blend® internal and external angles.
- D** Life-blend® adjustable joints.  
Ideal for special angles and stairs.



# HANDRAIL AHL.40

Life-blend® PVC Free



As the HL.40, also the AHL.40 handrail maintains the same characteristics of sturdiness and practicality, but with a brushed aluminium wall bracket.

It can also be installed on double-plate plasterboard wall.

## SMOOTH FINISH

Handrail with a smooth finish to guarantee perfect hygiene and cleanliness.

## CONTINUOUS PROFILE

Various accessories available to offer a continuous and sturdy bar, in aluminium wrapped with Life-blend®, to ensure the highest sustain and security in your stairs and hallways.

## BOTTOM CLOSURE

The horizontal handrail bar is free from the bottom closure profile to guarantee a secure handle and a better surface cleaning.

## Life-blend®

- Fire reaction B s1 d0
- Self-extinguishing
- PVC-free
- Non-toxic fumes
- Medical use
- VOC non-toxic certified

Tech sheet Life-blend® → Page 08

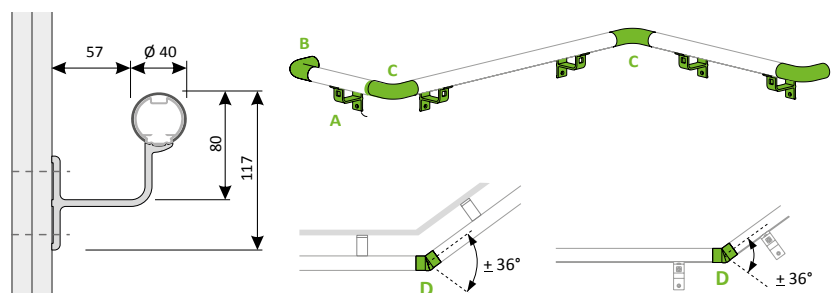
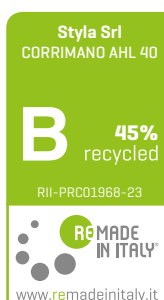
Life-blend® Colors → Page 18

## STANDARD LENGTH AND FIXING

- Maximum bar length: 5 mt
- Maximum wheelbase between brackets: 800 mm
- A reinforcement in plasterboard wall is recommended.

## CERTIFICATION REMADE IN ITALY

The product complies with the "Remade in Italy" specification, making the product compliant with the minimum environmental criteria (CAM) and contributing to the sustainability of buildings according to LEED standards.



## GREAT RESISTANCE

- A** Aluminium bracket with 2 fixing points.

## HANDRAIL CONTINUITY

- B** Life-blend® end caps.
- C** Life-blend® internal and external angles.
- D** Life-blend® adjustable joints. Ideal for special angles and stairs.





# HANDRAIL YHL.40

Life-blend® PVC Free



The YHL.40 handrail is the new Styla solution for a handrail with a modern and elegant design. The die-cast aluminum wall support guarantees a sturdy hold on the wall, without sacrificing aesthetics.

It can also be installed on double-plate plasterboard wall.

## SMOOTH FINISH

Handrail with a smooth finish to guarantee perfect hygiene and cleanliness.

## CONTINUOUS PROFILE

Various accessories available to offer a continuous and sturdy bar, in aluminium wrapped with Life-blend®, to ensure the highest sustain and security in your stairs and hallways.

## BOTTOM CLOSURE

The horizontal handrail bar is free from the bottom closure profile to guarantee a secure handle and a better surface cleaning.

## Life-blend®

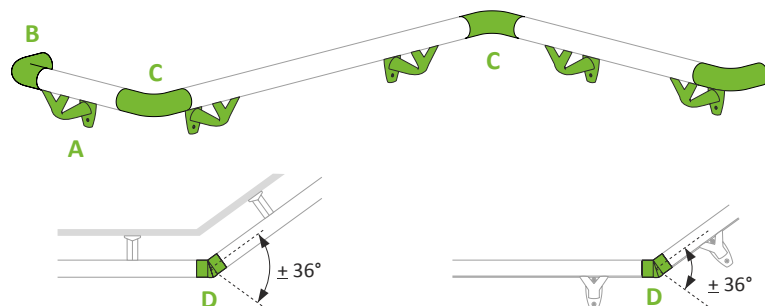
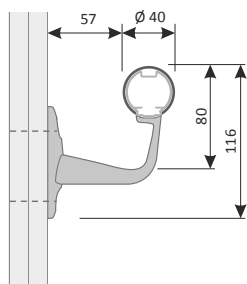
- Fire reaction B s1 d0
- Self-extinguishing
- PVC-free
- Non-toxic fumes
- Medical use
- VOC non-toxic certified

Tech sheet Life-blend® → Page 08

Life-blend® Colors → Page 18

## STANDARD LENGTH AND FIXING

- Maximum bar length: 5 mt
- Maximum wheelbase between brackets: 950 mm
- A reinforcement in plasterboard wall is recommended.



## GREAT RESISTANCE

**A** Die-cast aluminium bracket with 2 fixing points.

## HANDRAIL CONTINUITY

- B** Life-blend® end caps.
- C** Life-blend® internal and external angles.
- D** Life-blend® adjustable joints.  
Ideal for special angles and stairs.



# HANDRAIL WHL.40

LIGHT WOOD EFFECT

Life-blend® PVC Free



Born from Styla's studies over the DIP-PRINT® technology, the wooden effect handrail WHL.40 perfectly reproduce the wooden or materic texture of any natural surface: having aluminium supports, it shares the same characteristics of sturdiness and practicality of HL.40 and AHL.40 models.

It can also be installed on double-plate plasterboard wall.

## SMOOTH FINISH

Handrail with a smooth finish to guarantee perfect hygiene and cleanliness.

## CONTINUOUS PROFILE

Various accessories available to offer a continuous and sturdy bar, in aluminium wrapped with Life-blend®, to ensure the highest sustain and security in your stairs and hallways.

## DIP PRINT COLOR

The wooden effect finish is obtained with the DIP PRINT® technology.

## BOTTOM CLOSURE

The horizontal handrail bar is free from the bottom closure profile to guarantee a secure handle and a better surface cleaning.

## Life-blend®

- Fire reaction B s1 d0
- Self-extinguishing
- PVC-free
- Non-toxic fumes
- Medical use
- VOC non-toxic certified

Tech sheet Life-blend® → Page 08

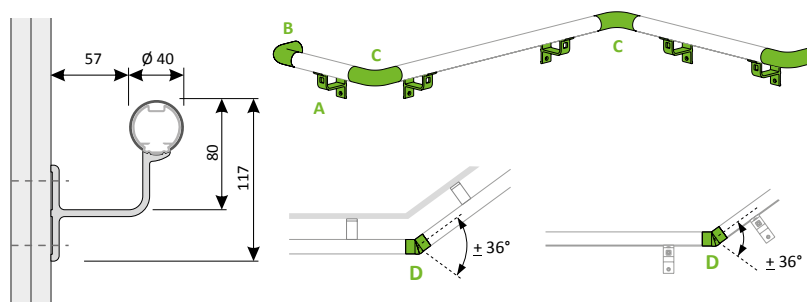
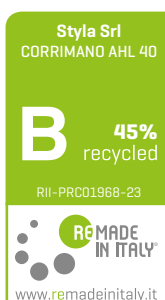
Life-blend® Colors → Page 18

## STANDARD LENGHT AND FIXING

- Maximum bar length: 2,5 mt
- Maximum wheelbase between brackets: 800 mm
- A reinforcement in plasterboard wall is recommended.

## CERTIFICATION REMADE IN ITALY

The product complies with the "Remade in Italy" specification, making the product compliant with the minimum environmental criteria (CAM) and contributing to the sustainability of buildings according to LEED standards.



## GREAT RESISTANCE

**A** Aluminium bracket with 2 fixing points.

## HANDRAIL CONTINUITY

**B** Life-blend® end caps.

**C** Life-blend® internal and external angles.

**D** Life-blend® adjustable joints.

Ideal for special angles and stairs.





# HANDRAIL YWHL.40

LIGHT WOOD EFFECT

Life-blend® PVC Free



Combining “Dip Print” technology with a single die-cast aluminum support, the YWHL.40 wood effect handrail is the ideal solution for reproducing the warmth of wood with the advantages of modern materials.

Equipped with die-cast aluminum supports, it shares the same practical and robust characteristics as the HL series models.

It can also be installed on double-plate plasterboard wall.

## SMOOTH FINISH

Handrail with a smooth finish to guarantee perfect hygiene and cleanliness.

## CONTINUOUS PROFILE

Various accessories available to offer a continuous and sturdy bar, in aluminium wrapped with Life-blend®, to ensure the highest sustain and security in your stairs and hallways.

## DIP PRINT COLOR

The wooden effect finish is obtained with the DIP PRINT® technology.

## BOTTOM CLOSURE

The horizontal handrail bar is free from the bottom closure profile to guarantee a secure handle and a better surface cleaning.

## Life-blend®

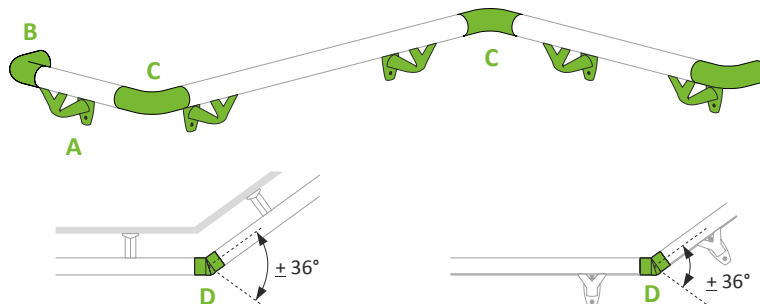
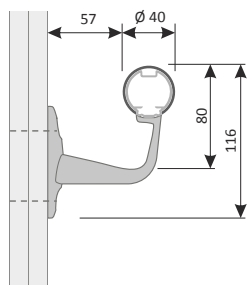
- Fire reaction B s1 d0
- Self-extinguishing
- PVC-free
- Non-toxic fumes
- Medical use
- VOC non-toxic certified

Tech sheet Life-blend® → Page 08

Life-blend® Colors → Page 18

## STANDARD LENGHT AND FIXING

- Maximum bar length: 2,5 mt
- Maximum wheelbase between brackets: 950 mm
- A reinforcement in plasterboard wall is recommended.



## GREAT RESISTANCE

**A** Die-cast aluminium bracket with 2 fixing points.

## HANDRAIL CONTINUITY

- B** Life-blend® end caps.
- C** Life-blend® internal and external angles.
- D** Life-blend® adjustable joints.  
Ideal for special angles and stairs.



# HANDRAIL HWS.34

WOOD – STAINLESS STEEL



Realized in ash wood with brushed stainless steel wall brackets, this handrail comes in 34 mm diameter completed with stainless steel AISI 304 brackets and endcaps. This item is perfect for any environment where the warm and value of real wood is needed.

It can also be installed on double-plate plasterboard wall.

This product is supplied cut to size.

## SMOOTH FINISH

Refined handrail with a smooth finish to guarantee a better hygiene and cleanliness.

## CONTINUOUS PROFILE

Many accessories available to offer a sturdy and continuous supporting bar, in varnished ash wood, to guarantee the highest security and sustain in your hallways.

## BOTTOM CLOSURE

The horizontal handrail bar is free from the bottom closure profile to guarantee a secure handle and a better surface cleaning.

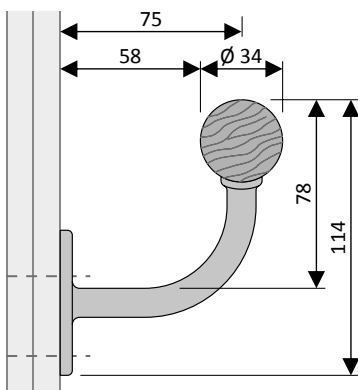
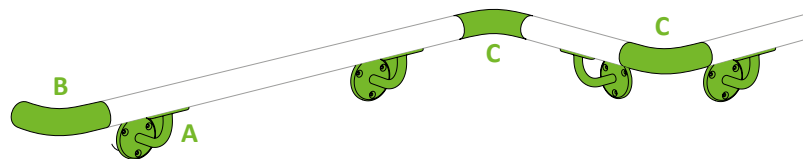
## ASH WOOD

The Styla handrail is made of ash wood to ensure maximum resistance to wear and tear over time.



## STANDARD LENGHT AND FIXING

- Maximum bar length: 2,5 mt
- Maximum wheelbase between brackets: 850 mm
- A reinforcement in plasterboard wall is recommended.



## GREAT RESISTANCE

- A** Stainless steel (AISI 304) wall brackets, with satin finish and 3 anchor screws.



Natural brushed Ash wood

## HANDRAIL CONTINUITY

- B** Stainless steel AISI 304 with satin end caps finish.
- C** Internal and external angles in stainless steel AISI 304 satin finish.



On request, personalized finish and essence.



# HANDRAIL HS.34

STAINLESS STEEL



If the maximum resistance is needed, the HS.34 handrail with a 34 mm of diameter is the perfect choice because it is completely realized in satinated AISI 304 stainless steel.

It can also be installed on double-plate plasterboard wall.

This product is supplied cut to size.

## SMOOTH FINISH

Refined handrail with a satinated and smooth finish to guarantee a better hygiene and cleanliness.

## CONTINUOUS PROFILE

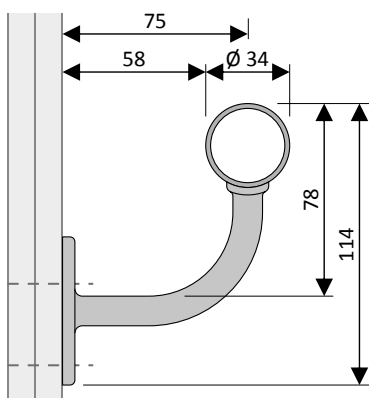
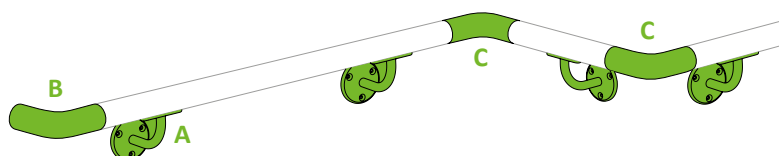
Many accessories available to offer a sturdy and continuous supporting bar, in AISI 304 stainless steel, to guarantee the highest security and sustain in your hallways.

## BOTTOM CLOSURE

The horizontal handrail bar is free from the bottom closure profile to guarantee a secure handle and a better surface cleaning.

## STANDARD LENGHT AND FIXING

- Maximum bar lenght: 6 mt
- Maximum wheelbase between brackets: 950 mm
- A reinforcement in plasterboard wall is recommended.



## GREAT RESISTANCE

**A** Stainless steel (AISI 304) brackets, with satin finish and 3 anchor screws.

**B** Curved end caps in stainless steel (AISI 304) with a satin finish.

## CONTINUOUS HANDRAIL

**C** Curved end caps in satinated stainless steel (AISI 304).

**D** External and internal satinated stainless steel angles.



Stainless steel AISI 304 with satin finish.





# BUMPER HANDRAILS

---

The bumper handrail is ideal in hallways where the passage of people and trolleys implies the need for support for walking and at the same time a valid protection of the walls from accidental impacts. If you are looking for a solid wall protection combined with a comfortable and secure grip, without giving up a modern design, Styla bumper handrail is the solution.



## BH.140

### CLASSIC DESIGN AND STRENGTH

A classical designed bumper handrail (h 160mm) in Life-blend®, with a slightly embossed finish for a better resistance to scratches ensuring a perfect hygiene and cleanliness.

Solid colors available in the Life-blend® color range.

## BH.170

### BICOLOR REFINED

A refined Life-blend® bumper handrail (h 170mm). To ensure a perfect hygiene and scratching resistance, a smooth finish for the handrail and a slight embossing on the bumper, has been chosen for this item.

For this product, is possible to choose a different color for the handrail and the bumper to create endless combinations that would enhance the product's personality and elegance. Available on all Life-blend® color range.

## WBH.170

### STYLISH WOODEN FINISH

A refined Life-blend® handrail bumper (h 170mm).

To ensure a perfect hygiene and scratching resistance, a smooth finish for the handrail and a slight embossing on the bumper, has been chosen for this item.

For this product, is possible to choose a wooden effect for the handrail to create endless combinations that would enhance the product's personality and elegance.

Available on all Life-blend® color range.

## BH.140.ANTILIG

### ANTI LIGATURE SAFETY

Bumper handrail h 140 mm in Life-blend® with a classic design. Aluminum profile support designed to prevent patients from harming themselves.

## B.170.ANTILIG

### ANTI LIGATURE SAFETY

Bumper handrail h 170 mm in Life-blend® of elegant design. Aluminum profile support designed to prevent patients from harming themselves. The possibility of choosing a different color for the handrail and the bumper allows multiple chromatic combinations that enhance the elegance and strong personality of the product.



## BH.140

HANDLE DIAMETER	ø 38 mm
HEIGHT	h 140 mm
MATERIAL	in <b>Life-blend®</b> with aluminium core
FINISH	slightly embossed
COLOR	monochromatic
FIXING	wall brackets with 2 anchor screws

---



## BH.170

HANDLE DIAMETER	ø 40 mm
HEIGHT	h 170 mm
MATERIAL	in <b>Life-blend®</b> with aluminium core
FINISH	smooth handrail and slightly embossed bumper
COLOR	bicolor
FIXING	wall brackets with 2 anchor screws

---



## WBH.170

HANDLE DIAMETER	ø 40 mm
HEIGHT	h 170 mm
MATERIAL	in <b>Life-blend®</b> with aluminium core
FINISH	smooth handrail and slightly embossed bumper
COLOR	handrail <b>DIP-PRINT®</b> finish and monochromatic bumper
FIXING	wall brackets with 2 anchor screws

---



## BH.140. ANTILIG

HANDLE DIAMETER	ø 38 mm
HEIGHT	h 140 mm
MATERIAL	in <b>Life-blend®</b> with aluminium core
FINISH	slightly embossed
COLOR	monochromatic
FIXING	continuous aluminium wall support

---



## BH.170. ANTILIG

HANDLE DIAMETER	ø 40 mm
HEIGHT	h 170 mm
MATERIAL	in <b>Life-blend®</b> with aluminium core
FINISH	smooth handrail and slightly embossed bumper
COLOR	bicolor
FIXING	continuous aluminium wall support

# BUMPER HANDRAIL

## BH.140

Life-blend® PVC Free



Life-blend® bumper handrail (h 140 mm) classically designed, with a slight embossed finish able to resist to scratches and to guarantee a perfect hygiene and cleanliness.

Available in Life-blend® color range.

It can also be installed on double-plate plasterboard wall.

### EMBOSSSED FINISH

Bumper handrail with a slight embossed finish to guarantee scratch resistance and a perfect hygiene.

### CONTINUOUS PROFILE

The product is available with several accessories to offer a sturdy and continuous sustain bar, able to absorb impacts, the inner aluminium frame has a cushioning layer used to absorb impacts, both to preserves walls and also to guarantee the maximum sustain.

### CLOSED PROFILE

Horizontal bar without any back opening to ensure the best hygiene.

### Life-blend®

- Fire reaction B s1 d0
- Self-extinguishing
- PVC-free
- Non-toxic fumes
- Medical use
- VOC non-toxic certified
- Shockproof

Tech sheet Life-blend® → Page 08

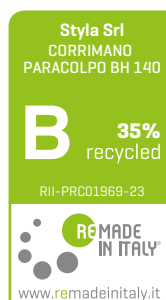
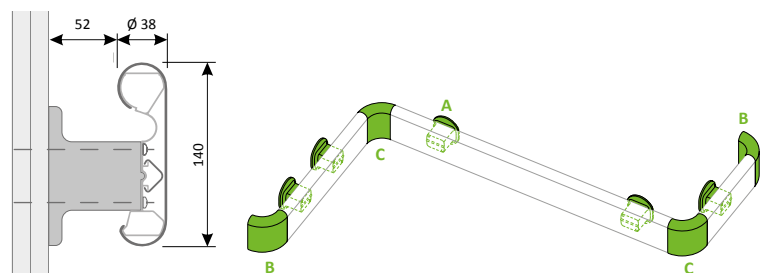
Life-blend® Colors → Page 18

### STANDARD LENGHT AND FIXING

- Maximum bar length: 5 mt
- Maximum wheelbase between brackets: 950 mm
- A reinforcement in plasterboard wall is recommended.

### CERTIFICATION REMADE IN ITALY

The product complies with the "Remade in Italy" specification, making the product compliant with the minimum environmental criteria (CAM) and contributing to the sustainability of buildings according to LEED standards.



### GREAT RESISTANCE

**A** Life-blend® brackets with 2 not-in-sight fixing screws.

### CONTINUOUS HANDRAIL

**B** Life-blend® end caps.

**C** Life-blend® internal and external angles.





# BUMPER HANDRAIL BH.170

Life-blend® PVC Free



## SMOOTH+EMBOSSSED FINISH

Smooth finish for the handrail and a slight embossed one for the bumper to ensure the perfect combination between hygiene and scratches resistance.

## CONTINUOUS PROFILE

The product is available with several accessories to offer a sturdy and continuous sustain bar, able to absorb impacts, in covered Life-blend® aluminium and with an internal cushioning layer.

## BICOLOR

Possibility to realize the handrail and the bumper in two different colors.

## CLOSED PROFILE

Horizontal bar without any back opening to ensure the best hygiene.

Life-blend® bumper handrail (h 170mm) with an elegant design, with a smooth finish for the handrail and a slight embossed one for the bumper to ensure a perfect hygiene and protection against scratches.

It offers the possibility to choose a different color for both of its part ensuring endless combination which are able to enhance its elegance and personality. Available in Life-blend® color range. It can also be installed on double-plate plasterboard wall.

## Life-blend®

- Fire reaction B s1 d0
- Self-extinguishing
- PVC-free
- Non-toxic fumes
- Medical use
- VOC non-toxic certified
- Shockproof

Tech sheet Life-blend® → Page 08

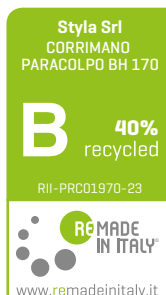
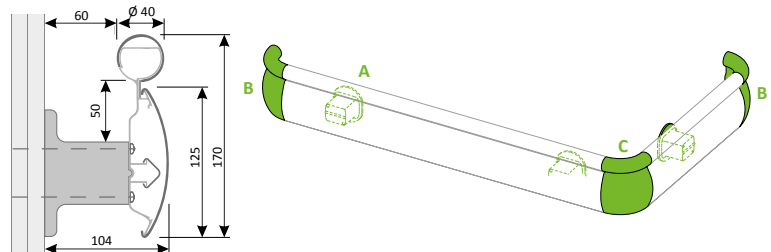
Life-blend® Colors → Page 18

## STANDARD LENGHT AND FIXING

- Maximum bar lenght: 5 mt
- Maximum wheelbase between brackets: 950 mm
- A reinforcement in plasterboard wall is recommended.

## CERTIFICATION REMADE IN ITALY

The product complies with the "Remade in Italy" specification, making the product compliant with the minimum environmental criteria (CAM) and contributing to the sustainability of buildings according to LEED standards.



## GREAT RESISTANCE

**A** Life-blend® brackets with 2 not-in-sight fixing screws.

## HANDRAIL CONTINUITY

**B** Life-blend® end caps.

**C** Life-blend® external angles.



# BUMPER HANDRAIL WBH.170

WOOD EFFECT

Life-blend® PVC Free



Life-blend® bumper handrail (h 170mm) with an elegant design, with a smooth finish for the handrail and a slight embossed one for the bumper to ensure a perfect hygiene and protection against scratches.

It offers the possibility to choose a wooden effect on its handrail ensuring endless combinations whose are able to enhance its elegance and personality. Available in all Life-blend® color range. It can also be installed on double-plate plasterboard wall.

## SMOOTH+EMBOSSSED FINISH

Smooth finish for the handrail and a slight embossed one for the bumper to ensure the perfect combination between hygiene and scratches resistance.

## CONTINUOUS PROFILE

The product is available with several accessories to offer a sturdy and continuous sustain bar, able to absorb impacts, in covered Life-blend® aluminium and with an internal cushioning layer.

## DOUBLE FINISH

Wood effect DIP-PRINT handrail for the most elegant finish.

## CLOSED PROFILE

Horizontal bar without any back opening to ensure the best hygiene.

## Life-blend®

- Fire reaction B s1 d0
- Self-extinguishing
- PVC-free
- Non-toxic fumes
- Medical use
- VOC non-toxic certified
- Shockproof

Tech sheet Life-blend® → Page 08

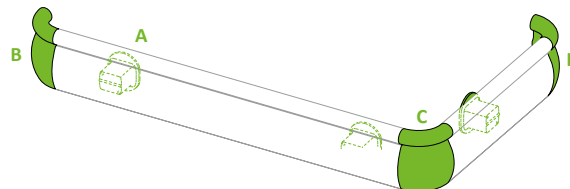
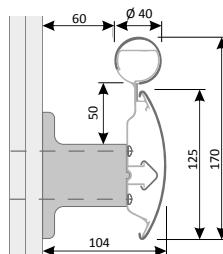
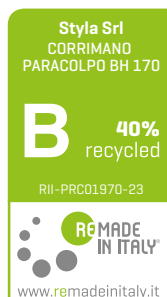
Life-blend® Colors → Page 18

## STANDARD LENGTH AND FIXING

- Maximum bar length: 5 m
- Maximum wheelbase between brackets: 950 mm
- A reinforcement in plasterboard wall is recommended.

## CERTIFICATION REMADE IN ITALY

The product complies with the "Remade in Italy" specification, making the product compliant with the minimum environmental criteria (CAM) and contributing to the sustainability of buildings according to LEED standards.



## GREAT RESISTANCE

**A** Life-blend® brackets with 2 not-in-sight fixing screws.

## CONTINUITÀ DEL CORRIMANO

**B** Life-blend® end caps.

**C** Life-blend® external angles.



# BUMPER HANDRAIL BH.140.ANTILIG

Life-blend® PVC Free



## EMBOSSSED FINISH

Handrail with a slight embossed finish, to guarantee scratch resistance and a perfect hygiene.

## ANTI LIGATURE PROFILE

Aluminium retainer and support profile with no gaps between profile and wall, to avoid any possible hanging on it. This makes it suitable for psychiatric wards and for all those places where prevention from self-harming is needed.

Life-Blend® bumper handrail (h 140 mm) classically designed, with a slight embossed finish able to resist to scratches and to guarantee a perfect hygiene and cleanliness.

Available in all monochromatic color of the Life-Blend® range.

Also installable on double-plate plasterboard walls.

## Life-blend®

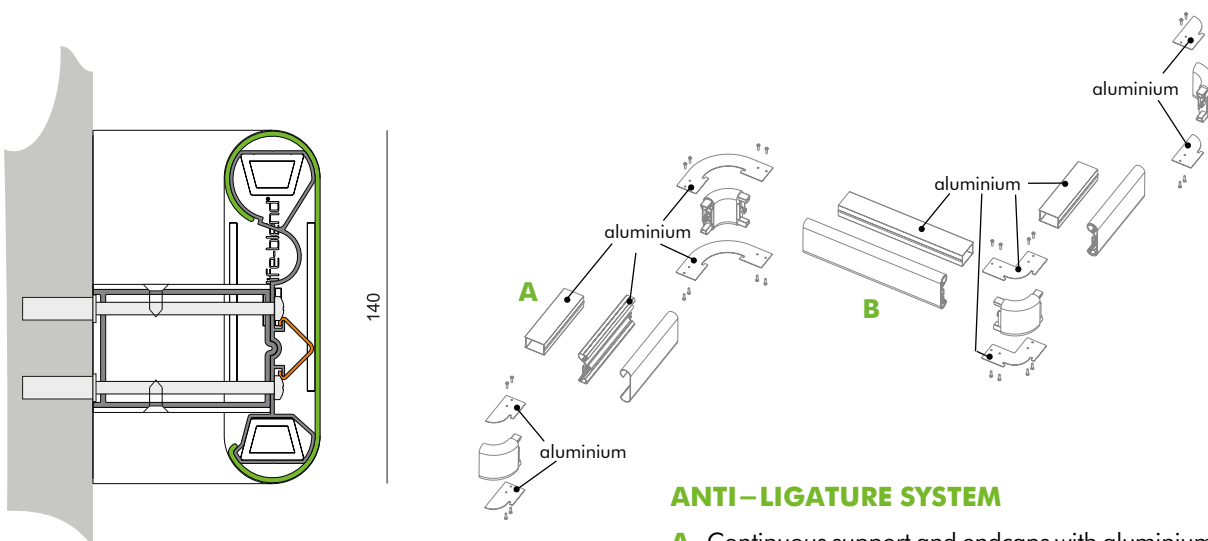
- Fire reaction B s1 d0
- Self-extinguishing
- PVC-free
- Non-toxic fumes
- Medical use
- VOC non-toxic certified
- Shockproof
- Anti-ligature system

Tech sheet Life-blend® → Page 08

Life-blend® Colors → Page 18

## STANDARD LENGTHS AND FIXING

- Maximum bar length: 5 mt
- A reinforcement in plasterboard wall is recommended.



## ANTI-LIGATURE SYSTEM

**A** Continuous support and endcaps with aluminium closures, suitable for psychiatric wards.

## CONTINUITY OF THE HANDRAIL

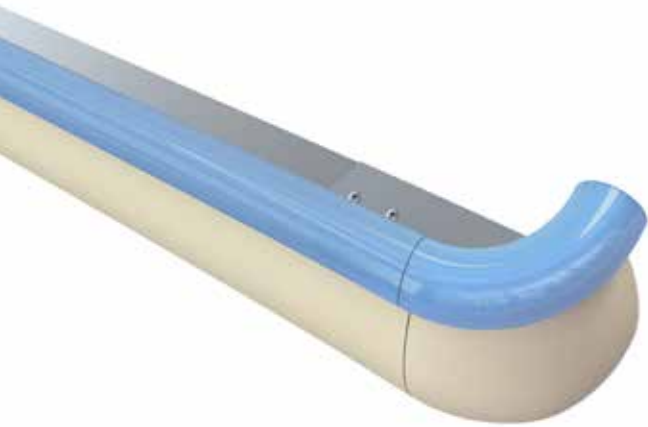
**B** Internal and external corners to guaranteed profile continuity.





# BUMPER HANDRAIL BH.170.ANTILIG

Life-blend® PVC Free



Bumper handrail h 170 mm in Life-Blend® with elegant design. Smooth finish for handrail and slightly embossed for bumper to join surfaces hygiene and resistance to scratches.

Aluminium retainer and support designed to prevent self-harming.

It is possible to realize the handrail and the bumper in two different colors chosen from Life-Blend® color range.

Also installable on double-plate plasterboard walls.

## SMOOTH+EMBOSSSED FINISH

Bumper handrail with smooth finish on handrail and slightly embossed on bumper to join hygiene on surfaces and resistance to scratches.

## ANTI-LIGATURE PROFILE

Aluminium retainer and support profile with no gaps between profile and wall, to avoid any possible hanging on it. This makes it suitable for psychiatric wards and for all those places where prevention from self-harming is needed.

## DOUBLE COLOR PROFILE

The handrail and the bumper may be realized in two different colors.

## Life-blend®

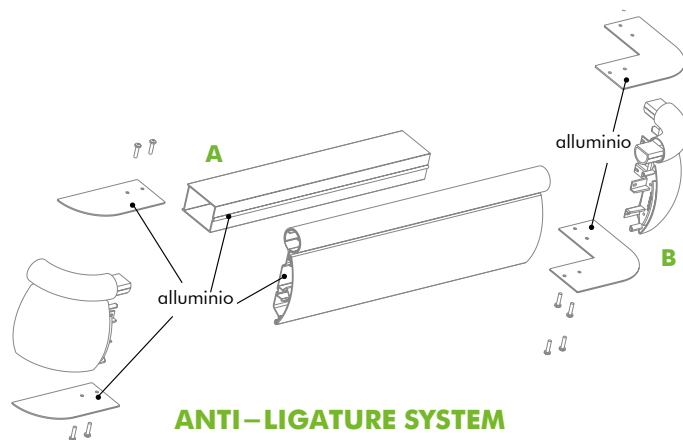
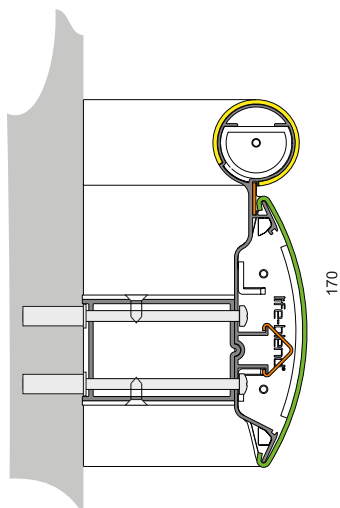
- Fire reaction B s1 d0
- Self-extinguishing
- PVC-free
- Non-toxic fumes
- Medical use
- VOC non-toxic certified
- Shockproof
- Anti-ligature system

Tech sheet Life-blend® → Page 08

Life-blend® Colors → Page 18

## STANDARD LENGHTS AND FIXING

- Maximum bar length: 5 mt
- A reinforcement in plasterboard wall is recommended.



## ANTI-LIGATURE SYSTEM

**A** Continuous support and endcaps with aluminium closures, suitable for psychiatric wards.

## CONTINUITY OF THE HANDRAIL

**B** Internal and external corners to guaranteed profile continuity.



# BUMPER

---

Equipping your building with bumpers means ensuring a reliable protection on hallways and walls subjected to wear and a reliable prevention over impacts caused by trolleys, greatly reducing maintenance costs.

Our bumpers are available in a variety of materials and designs, according to the type of protection needed.

Also they have a broad range of shapes (rectangular, triangular and convex) and colors to be placed discreetly in every environment.



## **B.110**

### *TRIANGULAR SECTION, MINIMALISTIC*

A small sized bumper, with a Life-Blend® cover, suitable for mid intensity impacts completed with a bottom continuous aluminium retainer (for increased strength and stability).

## **B.125 | WB.125 | B.200**

### *CONVEX SECTION, FOR A REFINED DESIGN*

Refined bumper with a Life-blend® cover, suitable for high intensity impacts completed with a bottom continuous aluminium retainer (for strength and stability).

## **P.200 | P.200L**

### *RECTANGULAR SECTION*

The most classic bumper with a rectangular Life-blend® cover, suitable for mid-high intensity impacts completed or with a bottom continuous aluminium retainer or, in a lighter version, with fixing aluminium brackets.

## **HC.250**

### *EPDM RUBBER, FOR "VERY STRONG" IMPACTS*

Highest protection over extremely heavy impacts. Ideal on all those areas where forklifts, trucks and vehicles are moving.

## **BS.100 | BS.200**

### *MAXIMUM STRENGTH*

In stainless steel.  
Bumper suitable for utility rooms, where both impacts resistance and hygiene is necessary.



## B.110

RESISTANCE  
SIZE  
MATERIAL

mid intensity impacts  
triangular | h 110 mm  
in **Life-blend®** with aluminium core

---



## B.125

RESISTANCE  
SIZE  
MATERIAL

mid-high intensity impacts  
convex | h 125 mm  
in **Life-blend®** with aluminium core and  
internal cushion profile

---



## WB.125

RESISTANCE  
SIZE  
MATERIAL  
FINISH

mid-high intensity impacts  
convex | h 125 mm  
in **Life-blend®** with aluminium core and  
internal cushion profile  
**DIP PRINT®**

---



## B.200

RESISTANCE  
SIZE  
MATERIAL

high intensity impacts  
convex | h 200 mm  
in **Life-blend®** with aluminium core and  
internal cushion profile

---



## P.200

RESISTANCE  
SIZE  
MATERIAL

high intensity impacts  
rectangular | h 200 mm  
in **Life-blend®** with aluminium core and  
internal cushion profile

---



## P.200L

RESISTANCE  
SIZE  
MATERIAL

mid-high intensity impacts  
Rectangular | h 200 mm  
in **Life-Blend®** with aluminium brackets  
and internal cushion profile

---



## BS.100 BS.200

RESISTANCE  
SIZE  
MATERIAL

high intensity impacts  
rectangular | h 100 mm | h 200 mm  
stainless steel AISI 304 safin

---



## HC.250

RESISTANCE  
SIZE  
MATERIAL

extreme impacts resistance  
rectangular | h 254 mm  
in elastomer (EPDM rubber) black



# BUMPER TRIANGULAR

## B.110

Life-blend® PVC Free



### EMBOSSED FINISH

Slight embossed bumper to ensure a perfect combination between hygiene and scratch resistance.

### CONTINUOUS PROFILE

Available in different colors, it offers a continuous and sturdy aluminium profile and a Life-blend® cover, that is able to absorb impacts and to protect walls.

### HYGIENE

To guarantee the highest hygiene, this product has no back opening and don't have any horizontal surfaces where dust and dirt could build up.

Small size bumper, with external Life-blend® cover, suitable for mid intensity impacts, with a bottom continuous aluminium retainer (for strength and stability) where the snapped elastic cover can be placed, removed and changed on need.

It can also be installed on double-plate plasterboard wall.

### Life-blend®

- Fire reaction B s1 d0
- Self-extinguishing
- PVC-free
- Non-toxic fumes
- Medical use
- VOC non-toxic certified
- Shockproof

Tech sheet Life-blend® → Page 08

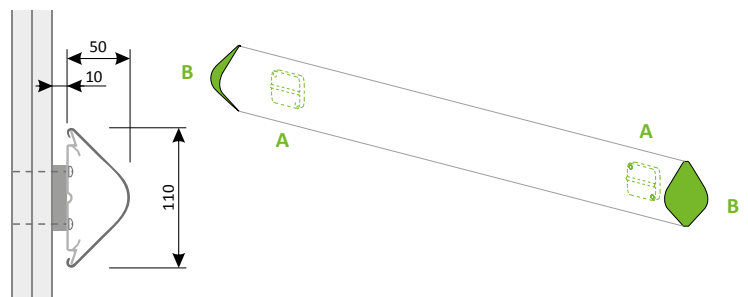
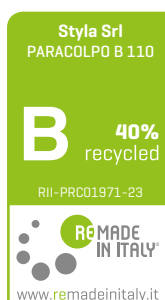
Life-blend® Colors → Page 18

### STANDARD LENGHT AND FIXING

- Maximum bar length: 5 mt
- Maximum wheelbase between brackets: 800 mm
- A reinforcement in plasterboard wall is recommended.

### CERTIFICATION REMADE IN ITALY

The product complies with the "Remade in Italy" specification, making the product compliant with the minimum environmental criteria (CAM) and contributing to the sustainability of buildings according to LEED standards.



### PERFECT HOLD ON WALLS

**A** Fixed by mini wall brackets in Life-blend®. For every support 2 not-in-sight screws are needed

### BUMPER CONTINUITY

**B** Life-blend® end caps.





### EMBOSSED FINISH

Slight embossed bumper to ensure a perfect combination between hygiene and scratch resistance.

### CONTINUOUS PROFILE

Available in different colors, it offers a continuous and sturdy aluminium profile and a Life-Blend® cover, that is able to absorb impacts and to protect walls.

### HYGIENE

To guarantee the highest hygiene, this product has no back opening and no horizontal surfaces where dust and dirt could build up.

Refined bumper with a Life-blend® external cover, suitable for high intensity impacts completed with a bottom continuous aluminium retainer (for strength and stability). The Life-Blend® cover can be placed, removed and changed on need. It can also be installed on double-plate plasterboard wall.

### Life-blend®

- Fire reaction B s1 d0
- Self-extinguishing
- PVC-free
- Non-toxic fumes
- Medical use
- VOC non-toxic certified
- Shockproof

Tech sheet Life-blend® → Page 08

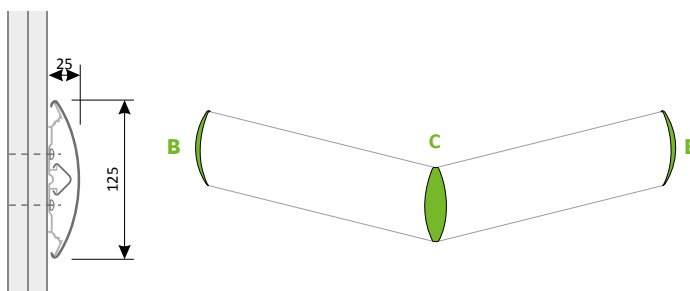
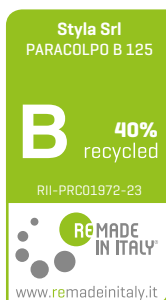
Life-blend® Colors → Page 18

### STANDARD LENGTH AND FIXING

- Maximum bar length: 5 mt
- Maximum wheelbase between wall fixings: 800 mm
- A reinforcement in plasterboard wall is recommended.

### CERTIFICATION REMADE IN ITALY

The product complies with the "Remade in Italy" specification, making the product compliant with the minimum environmental criteria (CAM) and contributing to the sustainability of buildings according to LEED standards.



### PERFECT HOLD ON WALLS

**A** Bumper fixed directly on the wall.

### BUMPER CONTINUITY

- B** Life-blend® end caps.
- C** Life-blend® external angles



ascensori  
antincendio

ambulatorio  
diagnostica  
ginecologia

# BUMPER WB.125

CONVEX - WOOD EFFECT

Life-blend® PVC Free



WB.125 convex bumper with a slight embossed finish, in wood effect Life-Blend® cover and aluminium retainer (125 mm high), with shock absorption, non-toxic and antibacterial. It can also be installed on double-plate plasterboard wall.

## EMBOSSED FINISH

Slight embossed bumper to ensure a perfect combination between hygiene and scratch resistance.

## CONTINUOUS PROFILE

Available in different colors, it offers a continuous and sturdy aluminium profile and a Life-blend® cover, that is able to absorb impacts and to protect walls.

## HYGIENE

To guarantee the highest hygiene, this product has no back opening and no horizontal surfaces where dust and dirt could build up.

## Life-blend®

- Fire reaction B s1 d0
- Self-extinguishing
- PVC-free
- Non-toxic fumes
- Medical use
- VOC non-toxic certified
- Shockproof

Tech sheet Life-blend® → Page 08

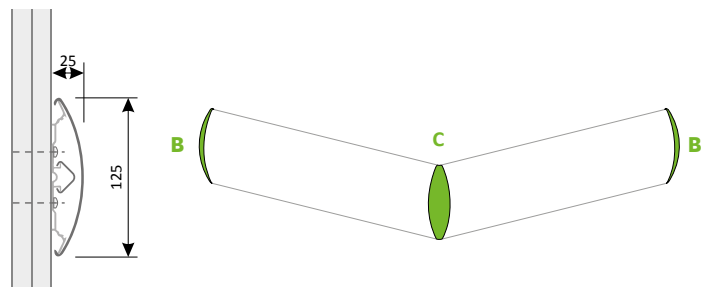
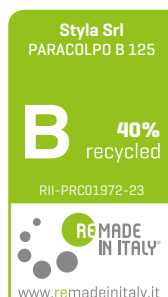
Life-blend® Colors → Page 18

## STANDARD LENGTH AND FIXING

- Maximum bar length: 2,5 mt
- Maximum wheelbase between wall fixings: 800 mm
- A reinforcement in plasterboard wall is recommended.

## CERTIFICATION REMADE IN ITALY

The product complies with the "Remade in Italy" specification, making the product compliant with the minimum environmental criteria (CAM) and contributing to the sustainability of buildings according to LEED standards.



## PERFECT HOLD ON WALLS

**A** Bumper fixed directly on the wall.

## BUMPER CONTINUITY

- B** Life-blend® end caps
- C** Life-blend® external angles





# BUMPER CONVEX

## B.200

Life-blend® PVC Free



Refined bumper with a Life-blend® external cover, suitable for high intensity impacts completed with a bottom continuous aluminium retainer (for strength and stability). The Life-Blend® cover can be placed, removed and changed on need. It can also be installed on double-plate plasterboard wall.

### EMBOSSED FINISH

Slight embossed bumper to ensure a perfect combination between hygiene and scratch resistance.

### CONTINUOUS PROFILE

Available in different colors, it offers a continuous and sturdy aluminium profile and a Life-blend® cover that is able to absorb impacts and to protect walls.

### HYGIENE

To guarantee the highest hygiene, this product has no back opening and don't have any horizontal surfaces where dust and dirt could build up.

### Life-blend®

- Fire reaction B s1 d0
- Self-extinguishing
- PVC-free
- Non-toxic fumes
- Medical use
- VOC non-toxic certified
- Shockproof

Tech sheet Life-blend® → Page 08

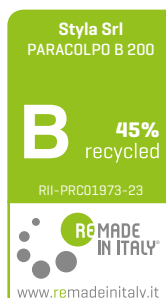
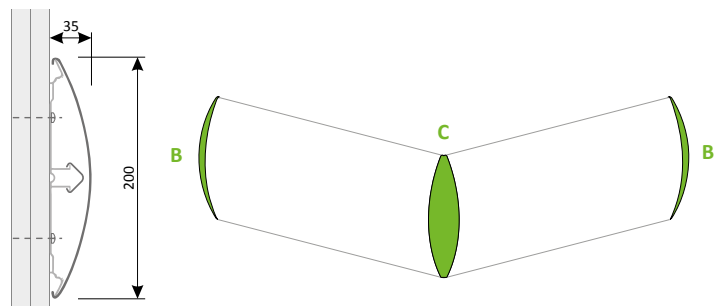
Life-blend® Colors → Page 18

### STANDARD LENGHT AND FIXING

- Maximum bar lenght: 5 mt
- Maximum wheelbase between fixings: 800 mm
- A reinforcement in plasterboard wall is recommended.

### CERTIFICATION REMADE IN ITALY

The product complies with the "Remade in Italy" specification, making the product compliant with the minimum environmental criteria (CAM) and contributing to the sustainability of buildings according to LEED standards.



### PERFECT HOLD ON WALLS

**A** Bumper fixed directly on the wall.

### BUMPER CONTINUITY

- B** Life-blend® end caps.
- C** Life-blend® external



# BUMPER P.200

RECTANGULAR

Life-blend® PVC Free



## EMBOSSED FINISH

Slight embossed bumper to ensure a perfect combination between hygiene and scratches resistance.

## CONTINUOUS PROFILE

Available in different colors, it offers a continuous and sturdy aluminium profile and a Life-blend® cover that is able to absorb impacts and to protect walls.

## HYGIENE

To guarantee the highest hygiene, this product has no back opening and no horizontal surfaces where dust and dirt could stand.

The most classic bumper with a Life-blend® cover, rectangular, suitable for mid-high intensity impacts completed or with a bottom continuous aluminium retainer.

The Life-Blend® cover can be placed and removed on need. It can also be installed on double-plate plasterboard wall.

## Life-blend®

- Fire reaction B s1 d0
- Self-extinguishing
- PVC-free
- Non-toxic fumes
- Medical use
- VOC non-toxic certified
- Shockproof

Tech sheet Life-blend® → Page 08

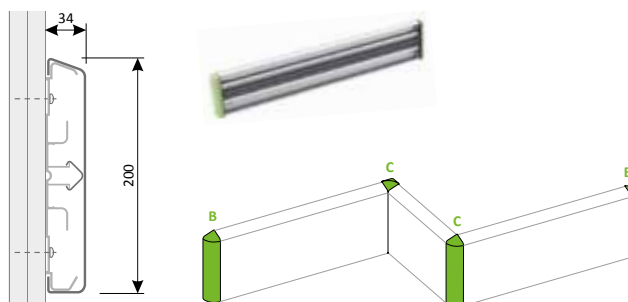
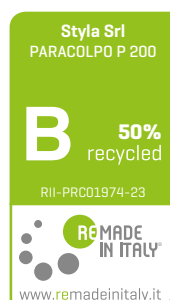
Life-blend® Colors → Page 18

## STANDARD LENGTH AND FIXING

- Maximum bumper bar length: 5 mt
- Maximum wheelbase between fixings: 800 mm
- A reinforcement in plasterboard wall is recommended.

## CERTIFICATION REMADE IN ITALY

The product complies with the "Remade in Italy" specification, making the product compliant with the minimum environmental criteria (CAM) and contributing to the sustainability of buildings according to LEED standards.



## PERFECT HOLD ON WALLS

**A** Bumper fixed directly on the wall.

## BUMPER CONTINUITY

**B** Life-blend® end caps.

**C** Life-blend® internal and external angles.

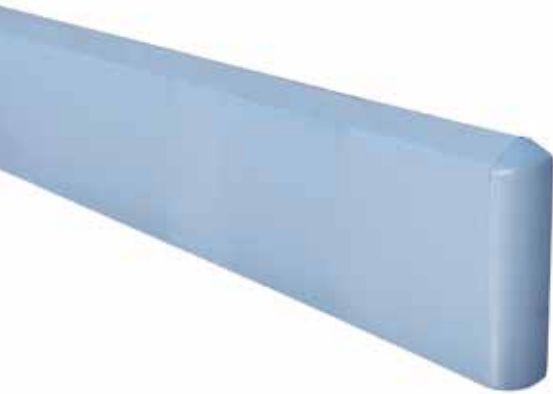




# BUMPER P.200L

RECTANGULAR

Life-blend® PVC Free



The most classic bumper with a Life-blend® wrapping, rectangular, suitable for mid-high intensity impacts completed with fixing brackets. The Life-Blend® cover can be placed and removed on need. It can also be installed on double-plate plasterboard wall.

## EMBOSSED FINISH

Slight embossed bumper to ensure a perfect combination between hygiene and scratches resistance.

## CONTINUOUS PROFILE

Available in different colors, it offers a continuous and sturdy aluminium profile and a Life-blend® cover that is able to absorb impacts and to protect walls.

## HYGIENE

To guarantee the highest hygiene, this product has no back opening and no horizontal surfaces where dust and dirt could stand.

## Life-blend®

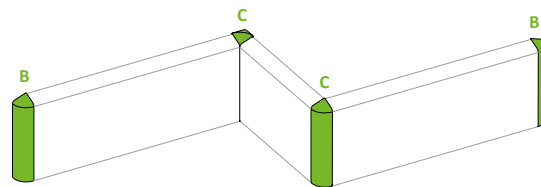
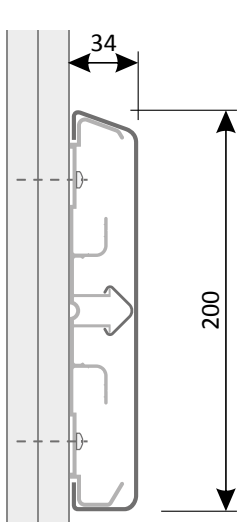
- Fire reaction B s1 d0
- Self-extinguishing
- PVC-free
- Non-toxic fumes
- Medical use
- VOC non-toxic certified
- Shockproof

Tech sheet Life-blend® → Page 08

Life-blend® Colors → Page 18

## STANDARD LENGHT AND FIXING

- Maximum bumper bar lenght: 5 mt
- Maximum wheelbase between brackets: 800 mm
- A reinforcement in plasterboard wall is recommended.



## PERFECT HOLD ON WALLS

**A** For every support 2 not-in-sight overlaid fixings are needed.

## BUMPER CONTINUITY

**B** Life-blend® end caps.

**C** Life-blend® internal and external angles.



# BUMPER STAINLESS STEEL

## BS



Bumper with a rectangular section, realized in AISI 304 stainless steel with a satin finish, completed with brackets for use on the wall.

Ideal for high intensity impacts with the highest hygiene.

### SMOOTH FINISH

Bumper with a smooth finish for an easy sanitation.

### AVAILABLE IN TWO HEIGHTS

**BS.100** h 100 mm

**BS.200** h 200 mm

### CONTINUOUS PROFILE

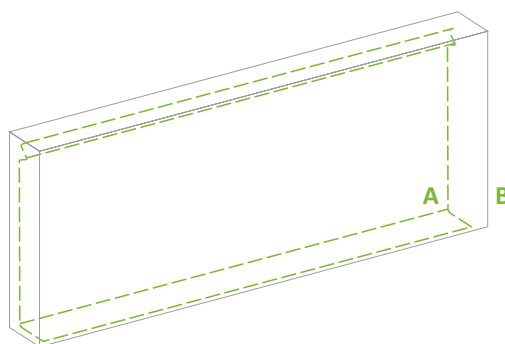
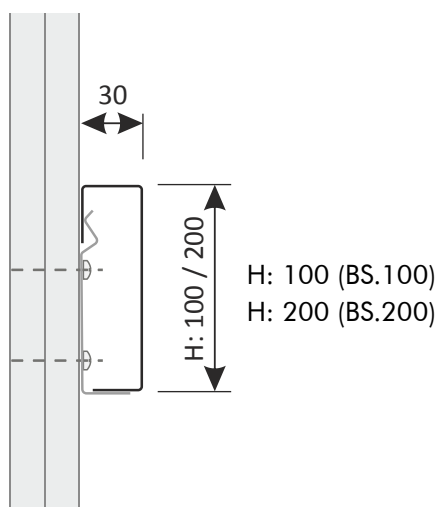
Profile in AISI 304 stainless steel with welded ends, to ensure a continuous profile without interruptions.

### STANDARD LENGTH AND FIXING

- Bumper length: tailored on customer need
- Maximum wheelbase between brackets: 800 mm
- A reinforcement in plasterboard wall is required.

### HYGIENE

To guarantee the highest hygiene, this product has no back opening



### PERFECT HOLD ON WALLS

- A** Continuous bracket in AISI 304 stainless steel to be fixed directly to the wall. For each fixing point there are 2 not-in-sight overlaid dowels.

### BUMPER CONTINUITY

- B** End caps in AISI 304 steel, scotch brite finish, closed, welded and connected.



# BUMPER HC.250

EPDM RUBBER



Heavy crashrail HC.250 with a rectangular section, realized in black alveolar elastomer (EPDM rubber) for high intensity impact. Ideal for absorbing heavy shocks and protecting walls in the transit areas of trolleys, forklifts and vehicles.

## STANDARD LENGTH AND FIXING

- Bumper length: 1,5 mt
- No installation on plasterboard walls.

## A SINGLE PRODUCT and SEVERAL ACCESSORIES for DIFFERENT NEEDS :

### PERFECT HOLD ON WALLS

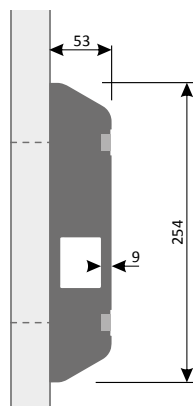
Elastometer bumper directly fixed on the wall.  
For every fixing point 2 not-in-sight overlaid dowels are required. Customized bushings are available for insertion in all holes to reinforce every anchor point.

### TEAR-PROOF SOLUTION

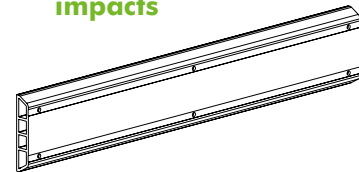
Special slided tear-proof end caps, in galvanized steel, are placed to protect the bumper from any side impacts by vehicles that could hook the bumper and tear it off.

### FOR A BETTER VISIBILITY

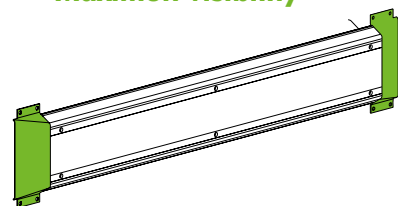
White reflective self-adhesive film strip, class 1, can be applied on its appropriate places, also ideal to cover the fixing holes.



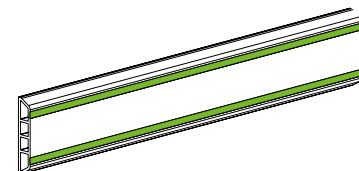
#### ■ Ideal for high intensity impacts



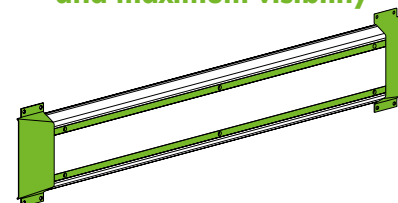
#### ■ Maximum visibility



#### ■ Great tear-proof resistance



#### ■ Great tear-proof resistance and maximum visibility







VIA DI COLLEGAMENTO ←

Parcorso Merco

Rifiuti - Pulizie

Ristorazione

Guardaroba

←

←

←

ESCAPI

---

Ascensori / Scale **G** ←

# CORNER GUARDS

---

The perfect solution to protect your corners.

Available in various sizes for half or full height installations.

Different types of corner guards and materials available according to the customer needs.



## **CG.55 | CG.75**

### **HIGHEST ELASTIC IMPACTS ABSORPTIONS**

External Lifeblend® cover, flexible and impact resistant, with a continuous aluminium retainer installable with screws and dowels where a snapped elastic cover can be placed and removed on need. The upper and bottom end caps are placed to ensure a better hygiene and a better aesthetic finish.

The inner frame is made with a continuous aluminium retainer, to guarantee stability and sturdiness. The Life-Blend® slight embossed finish is made to mitigate scratches, maintaining a great cleanliness and hygiene.

## **CGLW**

### **LIGHT PROTECTION WOOD EFFECT**

Corner guards in Life-Blend®, impact resistant, with a wood or materic DIP-PRINT® finish. These corner guards have a slight embossed finish to mitigate scratches maintaining a great cleanliness and hygiene.

## **CGL**

### **LOW IMPACT PROTECTION FOR IMPACTS CAUSED BY PEOPLE OR TROLLEYS**

Corner guards in Life-Blend®, impact resistant. These corner guards have a slight embossed finish to mitigate scratches maintaining a great cleanliness and hygiene.

## **CGS**

### **STURDY AND REFINED: STAINLESS STEEL CORNER GUARDS**

Sturdy and refined corner guard with an elegant satin finish to mitigate scratches, maintaining a great cleanliness and hygiene. They can be glued to the wall or fixed with screws and dowels.

## **CGR**

### **LOW IMPACT PROTECTION FOR IMPACTS CAUSED BY PEOPLE OR TROLLEYS**

Corner guards in Life-Blend®, impact resistant. These corner guards have a slight embossed finish to mitigate scratches maintaining a great cleanliness and hygiene.



## CG.55

SIZE	55 X 55 mm
ANGLE	90°
MATERIAL	in <b>Life-blend®</b> with aluminium core
FINISH	slightly embossed

---



## CG.75

SIZE	75 X 75 mm
ANGLE	90°
MATERIAL	in <b>Life-blend®</b> with aluminium core
FINISH	slightly embossed

---



## CGL

SIZE	25 x 25   50 x 50   75 x 75   100 x 100 mm
ANGLE	customizable from 60° to 175
MATERIAL	in <b>Life-blend®</b>
FINISH	slightly embossed

---



## WCGL

SIZE	25 x 25   50 x 50   75 x 75   100 x 100 mm
ANGLE	90°
MATERIAL	in <b>Life-blend®</b>
FINISH	<b>DIP PRINT®</b> , slightly embossed

---



## CGS

SIZE	50 x 50   75 x 75 mm
ANGLE	90°
MATERIAL	in stainless steel AISI 304
FINISH	satín

---



## CGR

SIZE	75 x 75   100 x 100 mm
ANGLE	90°
MATERIAL	EPDM
FINISH	smooth

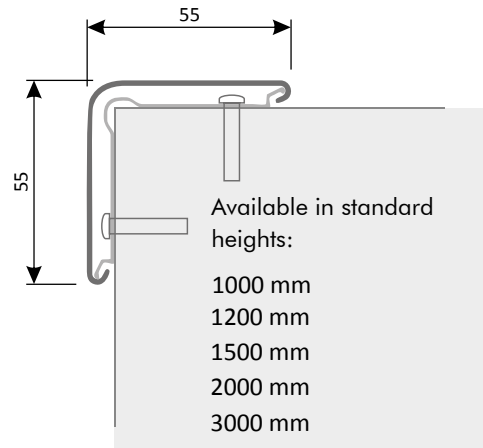
# CORNER GUARD

## CG.55

Life-blend® PVC Free



Life-blend® corner guard with a slight embossed finish and an aluminium retainer for shock absorption, with top and bottom Life-blend® end caps, non-toxic and antibacterial.



### EMBOSSSED FINISH

Slight embossed surface to ensure a perfect combination between hygiene and scratch resistance.

### STURDY

The sturdy continuous aluminium retainer, to be fixed directly to the wall with dowels, ensures stability and durability.

### FLEXIBLE

Thanks to the Life-blend® flexibility, the cover, after an impact, returns to its original form.

### EASY TO CHANGE

The Life-blend® cover, snapped on the aluminium retainer, is easy to change.

### HYGIENE

To guarantee the highest hygiene, this product has top and bottom end caps and no open parts, where dust and dirt can build up.

### Life-blend®

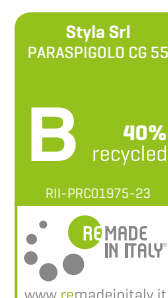
- Fire reaction B s1 d0
- Self-extinguishing
- PVC-free
- Non-toxic fumes
- Medical use
- VOC non-toxic certified
- Shockproof

Tech sheet Life-blend® → Page 08

Life-blend® Colors → Page 18

### CERTIFICATION REMADE IN ITALY

The product complies with the "Remade in Italy" specification, making the product compliant with the minimum environmental criteria (CAM) and contributing to the sustainability of buildings according to LEED standards.







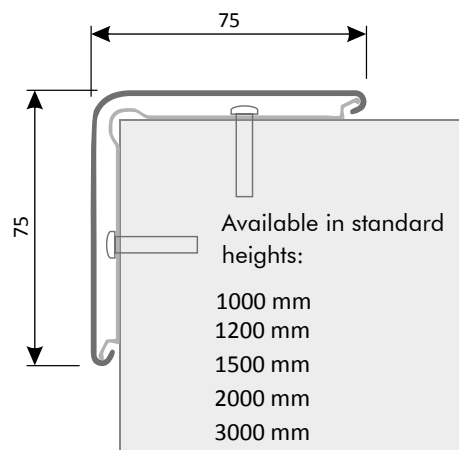
# CORNER GUARD

## CG.75

Life-blend® PVC Free



Life-blend® corner guard with a slight embossed finish with an aluminium retainer, for shock absorption, with top and bottom Life-blend® terminals, non-toxic and antibacterial.



### EMBOSSSED FINISH

Slight embossed surface to ensure a perfect combination between hygiene and scratches resistance.

### STURDY

The sturdy continuous aluminium retainer, to be fixed directly to the wall with dowels, ensures stability and durability.

### FLEXIBLE

Thanks to the Life-blend® flexibility, the cover, after impact, returns to its original form.

### EASY TO CHANGE

The Life-blend® cover, snapped on the aluminium retainer, is easy to change.

### HYGIENE

To guarantee the highest hygiene, this product has top and bottom end caps and no open parts, where dust and dirt can build up.

### Life-blend®

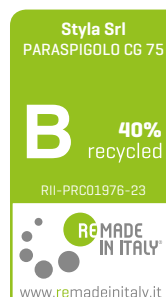
- Fire reaction B s1 d0
- Self-extinguishing
- PVC-free
- Non-toxic fumes
- Medical use
- VOC non-toxic certified
- Shockproof

Tech sheet Life-blend® → Page 08

Life-blend® Colors → Page 18

### CERTIFICATION REMADE IN ITALY

The product complies with the "Remade in Italy" specification, making the product compliant with the minimum environmental criteria (CAM) and contributing to the sustainability of buildings according to LEED standards.



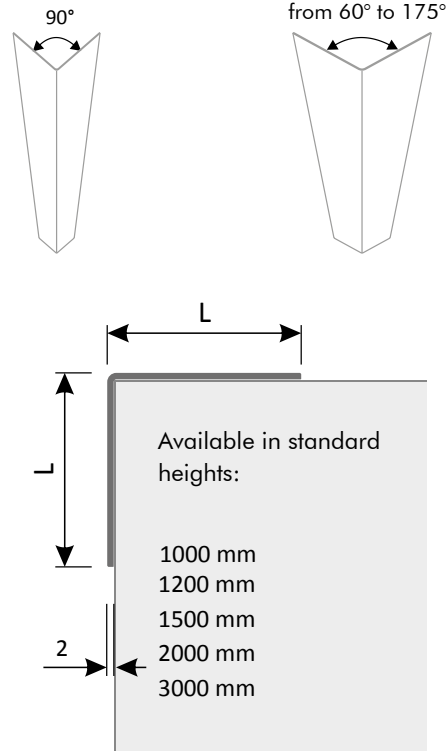


# CORNER GUARD CGL

Life-blend® PVC Free



Life-blend® light corner guard with a slight embossed finish, shockproof, non-toxic and antibacterial.



## EMBOSSSED FINISH

Slight embossed surface to ensure a perfect combination between hygiene and scratch resistance.

## EASY TO INSTALL

Life-blend® profile has to be glued on walls.

## Life-blend®

- Fire reaction B s1 d0
- Self-extinguishing
- PVC-free
- Non-toxic fumes
- Medical use
- VOC non-toxic certified
- Shockproof

Tech sheet Life-blend® → Page 08

Life-blend® Colors → Page 18

## NOT ONLY 90°

Special angles between 80° and 175° are available for this product.

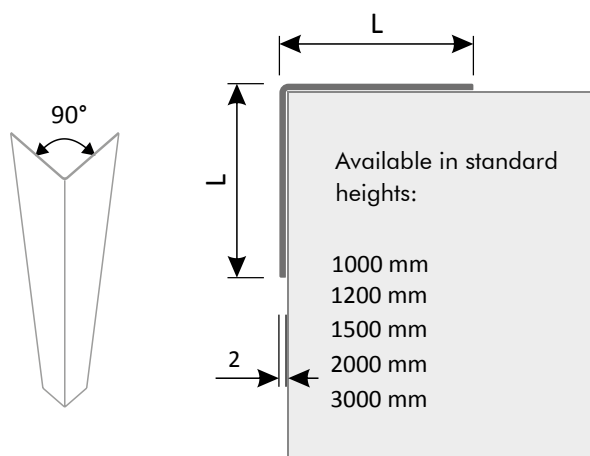


# CORNER GUARD WCGL

Life-blend® PVC Free



Life-blend® light corner guard with a slight embossed finish and wooden effect finish, shockproof, non-toxic and antibacterial.



## EMBOSSSED FINISH

Slight embossed surface to ensure a perfect combination between hygiene and scratches resistance.

## Life-blend®

- Fire reaction B s1 d0
- Self-extinguishing
- PVC-free
- Non-toxic fumes
- Medical use
- VOC non-toxic certified
- Shockproof

## EASY TO INSTALL

Life-blend® profile has to be glued on walls.

Tech sheet Life-blend®

➔ Page 08

Life-blend® Colors

➔ Page 18

## DIP-PRINT® COLOR

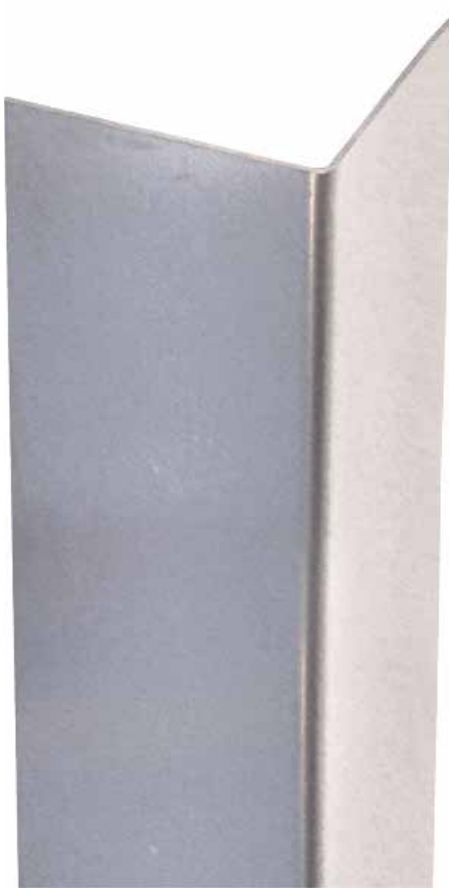
The wood effect is realized with the DIP-PRINT® technology.



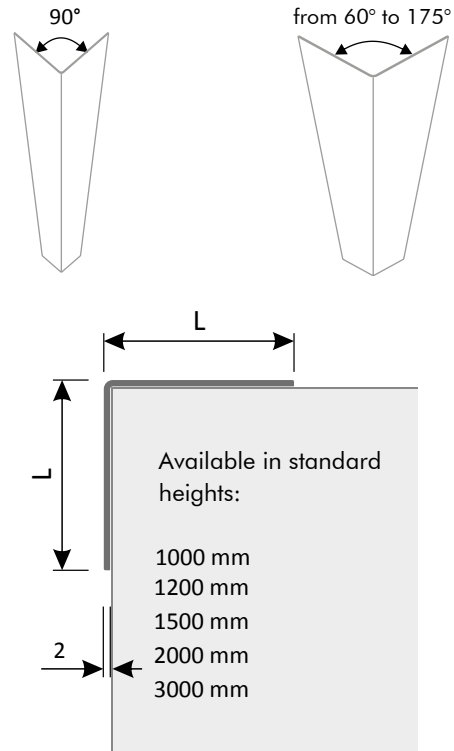


# CORNER GUARD CGS

STAINLESS STEEL



Corner guard in AISI 304 stainless steel, 1 mm thick, impacts resistant, fireproof and antibacterial.



## SATIN FINISH

Sturdy and refined corner guard with an elegant satin finish to mitigate scratches, maintaining a great cleanliness and hygiene.

## EASY INSTALLATION

This corner guard in AISI 304 stainless steel can be glued on the wall or fixed with screws and dowels.

## NOT ONLY 90°

Special angles between 80° and 175° are available for this product.

Stainless steel  
AISI 304  
With a  
satin finish





# CORNER GUARD **CGR**

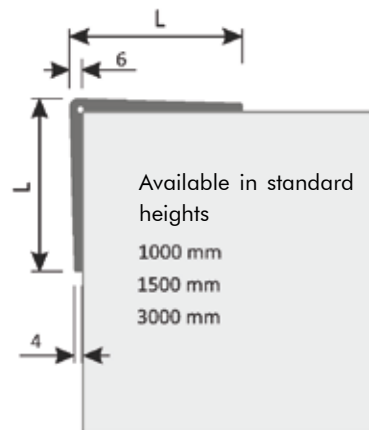
EPDM



Corner guard made of black elastomer (EPDM), ideal for protecting corners from intense impacts



code:	L x L
CGR.75	75 x 75 mm
CGR.100	100 x 100 mm



## HIGH RESISTANCE

Thanks to the polymer with which they are made, CGR corner protectors guarantee high impact resistance over time.

## EASY INSTALLATION

The profile can be applied to the wall using industrial adhesive or, for a better hold, using screws and plugs.

- Self-extinguishing
- PVC-Free
- Non-toxic fumes
- Shockproof





# ITEM SPECIFICATIONS

## AHL.40

### LIGHT HANDRAIL ALU Code AHL.40

Supply and installation of a newly developed, non-toxic, antibacterial 40 mm diameter handrail, with a strong grip even on double sheet plasterboard.  
Composed of:

CORRIMANO AHL 40	
Certificazione sul contenuto di riciclato e/o sottoprodotto	
Stylo Srl Via Indro Montanelli, 23	
≥ 95%	A*
≥ 85% - 95%	A
≥ 55% - 85%	B
< 55%	C
tipologia materiale riciclato: Alluminio	
Elaborazioni a cura di ReMade in Italy (vedi nei rapporti di certificazione)	
Induzione dei consumi energetici dal riciclo (kWh/kg)	12,1
Induzione delle emissioni climalteranti dal riciclo (g CO <sub>2</sub> eq/kg)	2,01
altre certificazioni ambientali:	
www.remadeinitaly.it	

- A tubular profile with a 40 mm of diameter, shock-resistant plastic design of new concept LIFE-BLEND® Certified European EN 1382 and EN ISO 11925-2 "B s1 d0" antibacterial certification for medical purpose, with a thickness of 2 mm.
- With a smooth finish for a perfect hygienic-sanitary protection.
- Plastic pigments not containing cadmium or heavy metals, chlorine, phthalates, bromide, halogens or antimony, are amalgamated with the plastic substance.
- Everything is snapped on mounted onto an extruded seamless aluminium profile with high structural rigidity for a perfect grip.
- Mounted on the wall using special brackets, manufactured with the same LIFE-BLEND® material, with two self-centering holes over 38 mm distant from each other for a strong hold on any wall even on a double sheet drywall and has a distance of 57 mm from the wall for a perfect hand-grip.
- Complete with end caps and internal and/or external self-centering corners, inserted into the support for a perfect fit with the cover, manufactured with the same LIFE-BLEND® material.
- Remade in Italy certified product of 45% of the total weight of the product. The aluminum core is guaranteed to come from recycled aluminum waste (CER 170402) of at least 75% (one 1 meter aluminum bar and Life-Blend cover, 1 Life-Blend terminal, 1.5 aluminum supports).

## B.110

### BUMPER GUARDS Code B.110

Supply and installation of elliptical, newly developed, non-toxic, antibacterial, 110 mm high elastic shock-absorbing bumper guards.

Composed of:

PARACOLPO B 110	
Certificazione sul contenuto di riciclato e/o sottoprodotto	
Stylo Srl Via Indro Montanelli, 23	
≥ 95%	A*
≥ 85% - 95%	A
≥ 55% - 85%	B
< 55%	C
tipologia materiale riciclato: Alluminio	
Elaborazioni a cura di ReMade in Italy (vedi nei rapporti di certificazione)	
Induzione dei consumi energetici dal riciclo (kWh/kg)	10,16
Induzione delle emissioni climalteranti dal riciclo (g CO <sub>2</sub> eq/kg)	1,78
altre certificazioni ambientali:	
www.remadeinitaly.it	

- A 110 mm height, shock-resistant, newly developed LIFE-BLEND® plastic profile. Certified European EN 13823 and EN ISO 11925-2 "B s1 d0" antibacterial certification for medical purposes, with a thickness of 2 mm.
- With fine embossing for a perfect sanitary protection.
- Pre-colored plastic material, does not contain cadmium or heavy metals, chlorine, phthalates, bromide, halogens or antimony, and is amalgamated into the mass of the material.
- Everything is snapped on mounted onto an extruded aluminum profile with high structural rigidity and seamless for a perfect grip.
- Mounted on the wall with anchor bolts for a perfect seal even with double sheet drywall.
- Complete with end caps external dovetailed, self-centering corners, inserted into the support for a perfect fit with the cover, produced with the same LIFE-BLEND® material.
- Remade in Italy certified product of 40% of the total weight of the product. The aluminum core is guaranteed to come from recycled aluminum waste (CER 170402) of at least 75% (one 1 meter aluminum bar and cover in Life-Blend, 1 terminal in Life-Blend, 1.5 supports in Life-Blend).

## B.125

### BUMPER GUARDS Code B.125

Supply and installation of elliptical, newly developed, non-toxic, antibacterial, 125 mm high elastic shock-absorbing bumper guards.

Composed of:

PARACOLPO B 125	
Certificazione sul contenuto di riciclato e/o sottoprodotto	
Stylo Srl Via Indro Montanelli, 23	
≥ 95%	A*
≥ 85% - 95%	A
≥ 55% - 85%	B
< 55%	C
tipologia materiale riciclato: Alluminio	
Elaborazioni a cura di ReMade in Italy (vedi nei rapporti di certificazione)	
Induzione dei consumi energetici dal riciclo (kWh/kg)	10,16
Induzione delle emissioni climalteranti dal riciclo (g CO <sub>2</sub> eq/kg)	1,78
altre certificazioni ambientali:	
www.remadeinitaly.it	

- An elliptical 125 mm height, shock-resistant, newly developed LIFE-BLEND® plastic profile. Certified European EN 13823 and EN ISO 11925-2 "B s1 d0" antibacterial certification for medical purposes, with a thickness of 2 mm.
- With fine embossing for a perfect sanitary protection.
- Plastic pigments not containing cadmium or heavy metals, chlorine, phthalates, bromide, halogens or antimony, are amalgamated with the plastic substance.
- Everything is snapped on mounted onto an extruded seamless aluminium profile with high structural rigidity for a perfect grip.
- Mounted on the wall with anchor bolts for a perfect seal even with double sheet drywall.
- Complete with end caps and/or external self-centering corners, inserted into the support for a perfect fit with the cover, produced with the same LIFE-BLEND® material.
- Remade in Italy certified product of 40% of the total weight of the product. The aluminum core is guaranteed to come from recycled aluminum waste (CER 170402) of at least 75% (one 1 meter aluminum bar and Life-Blend cover, 1 Life-Blend terminal).

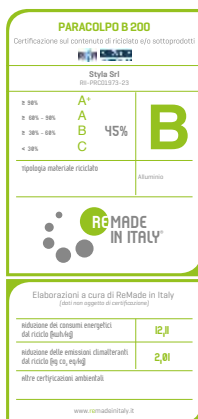
## B.200

### BUMPER GUARDS Code B.200

Supply and installation of elliptical, newly developed, non-toxic, antibacterial, 200 mm high elastic shock-absorbing bumper guards.

Composed of:

- An elliptical 200 mm height, shock-resistant, newly developed LIFE-BLEND® plastic profile. Certified European EN 13823 and EN ISO 11925-2 "B s1 d0" antibacterial certification for medical purposes, with a thickness of 2 mm.
- With fine embossing for a perfect sanitary protection.
- Plastic pigments not containing cadmium or heavy metals, chlorine, phthalates, bromide, halogens or antimony, are amalgamated with the plastic substance.
- Everything is snapped on mounted onto an extruded seamless aluminium profile with high structural rigidity for a perfect grip.
- Mounted on the wall with anchor bolts for a perfect seal even with double sheet drywall.
- Complete with end caps and/or external self-centering corners, inserted into the support for a perfect fit with the cover, produced with the same LIFE-BLEND® material.
- Remade in Italy certified product of 45% of the total weight of the product. The aluminum core is guaranteed to come from recycled aluminum waste (CER 170402) of at least 75% (one 1 meter aluminum bar and Life-Blend cover, 1 Life-Blend terminal).



## BH.140

### BUMPERS HANDRAIL Code BH.140

Supply and installation of a newly developed, non-toxic, antibacterial 140 mm high elastic shock-absorbing bumpers handrail.

Composed of:

- Newly developed, shock-resistant LIFE-BLEND® plastic profile 140 mm high. Certified European EN 13823 and EN ISO 11925-2 "B s1 d0" antibacterial certification for medical purposes, with a thickness of 2 mm.
- With fine embossing for a perfect sanitary protection.
- Plastic pigments not containing cadmium or heavy metals, chlorine, phthalates, bromide, halogens or antimony, are amalgamated with the plastic substance.
- Everything is snapped on mounted onto an extruded seamless aluminium profile with high structural rigidity for a perfect hand-grip.
- Mounted on the wall using special brackets with a pair of self-centering offset holes, over 63 mm distant from each other for a strong grip on any wall, even on a double sheet drywall, made of the same LIFE-BLEND® material and distant 52 mm from the wall for a perfect hand-grip.
- Complete with end caps, internal or external dovetailed self-centering corners, inserted into the support for a perfect fit with the cover, produced with the same LIFE-BLEND® material.
- Remade in Italy certified product of 35% of the total weight of the product. The aluminum core is guaranteed to come from recycled aluminum waste (CER 170402) of at least 75% (one 1 meter aluminum bar and cover in Life-Blend, 1 terminal in Life-Blend, 1.5 supports in Life-Blend).



## BH.170

### BUMPER HANDRAIL Code BH.170

Supply and installation of a newly developed, non-toxic, antibacterial 170 mm high elastic shock-absorbing bumper handrail.

Composed of:

- A tubular 40 mm profile with a diameter and an elliptical 125 mm wide profile with a newly developed shock-resistant LIFE-BLEND® plastic design. Certified European EN 13823 and EN ISO 11925-2 "B s1 d0" antibacterial certification for medical purposes, with a thickness of 2 mm.
- A colored insert link with a 1,5 mm of thickness between the handrail and the bumper of the same newly developed shock-resistant LIFE-BLEND® plastic material.
- With a smooth finishing on the handrail and fine embossing on the bumper for a perfect hygienic-sanitary protection.
- Plastic pigments not containing cadmium or heavy metals, chlorine, phthalates, bromide, halogens or antimony, are amalgamated with the plastic substance.
- Everything is snapped on mounted onto an extruded seamless aluminium profile with high structural rigidity for a perfect hand-grip.
- Mounted on the wall using special brackets with a pair of self-centering offset holes, over 63 mm distant from each other for a strong grip on any wall, even on a double sheet drywall, made of the same LIFE-BLEND® material and distant 60 mm from the wall for a perfect hand-grip.
- Complete with end caps and external dovetailed, self-centering corners, inserted into the support for a perfect fit with the cover, produced with the same LIFE-BLEND® material.
- Remade in Italy certified product of 40% of the total weight of the product. The aluminum core is guaranteed to come from recycled aluminum waste (CER 170402) of at least 75% (one barra da 1 metro di alluminio e cover in Life-Blend, 1 terminale in Life-Blend, 1,5 supporti in Life-Blend).



# ITEM SPECIFICATIONS

---

## **BH.140 ANTI LIGATURE BUMPERS HANDRAIL** Code BH.140ANTILIG

### **ANTILIG**

Supply and installation of new-concept anti-ligature handrails, non-toxic, antibacterial, with elastic shock absorption, with a height of not less than 140 mm.

Product characterized by:

- A 140 mm h shockproof profile in LIFE-BLEND® new concept plastic material, with European certification EN 13823ed EN ISO 11925-2 "B s1 d0" and antibacterial certification for medical use, with a thickness of 2 mm.
- With fine embossing for perfect hygienic-sanitary protection.
- Colored in paste, it must not contain cadmium and heavy metals, chlorine, phthalates, bromide, halogens and antimony.
- All snap-fitted onto an aluminum structural and support profile with closure of any space between the handrail and the wall, so as to make it impossible to hang from it and with a distance from the wall of 52 mm for perfect grasp.
- Complete with internal and external self-centering closure terminals and corners, fixed by interlocking in the support for perfect adherence to the cover itself, produced with the same LIFE-BLEND® material.

---

## **BH.170 ANTI LIGATURE BUMPERS HANDRAIL** Code BH.170ANTILIG

### **ANTILIG**

Supply and installation of new-concept anti-ligature handrails, non-toxic, antibacterial, with elastic shock absorption, with a height of not less than 170 mm.

Product characterized by:

- A tubular profile Ø 40 mm and a shockproof elliptical profile h 125 mm in newly developed LIFE-BLEND® plastic material, with European certification EN 13823 and EN ISO 11925-2 "B s1 d0" and antibacterial certification for medical use, with a thickness of 2mm.
- A colored connecting insert between the handrail and the bumper, made of new-concept LIFE-BLEND® plastic material, with a thickness of 1.5 mm.
- With a smooth finish on the handrail and a fine embossing on the bumper for perfect sanitary protection.
- Colored in paste, it must not contain cadmium and heavy metals, chlorine, phthalates, bromide, halogens and antimony. All snap-fitted onto an aluminum structural and support profile with closure of any space between the handrail and the wall, so as to make it impossible to hang from it and with a distance from the wall of 60 mm for perfect grasp.
- DIP-PRINT® finish wood effect or textured effect.
- Complete with self-centering closing terminals and external corners, fixed by interlocking in the support for perfect adherence to the cover itself, produced with the same LIFE-BLEND® material.

---

## **BS.100 STAINLESS STEEL BUMPERS** Code BS.100

### **BS.100**

Supply and installation of rectangular bumpers in satin finish AISI 304 stainless steel, with a height of no less than 100 mm.

Product characterized by:

- A rectangular profile h 100 mm in satin stainless steel AISI 304 with a thickness of 1.2 mm.
- Fixed to the wall with a steel bracket with overlapping holes, screws and dowels for a perfect seal even on walls with double plasterboard and underlying reinforcement.
- Complete with welded terminals to guarantee the closure and continuity of the profile.

## BS.200 STAINLESS STEEL BUMPERS Code BS.200

Supply and installation of rectangular bumpers in satin finish AISI 304 stainless steel, with a height of not less than 200 mm.

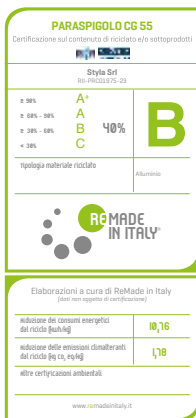
Product characterized by:

- A rectangular profile h 200 mm in satin stainless steel AISI 304 with a thickness of 1.2 mm.
- Fixed to the wall with a steel bracket with overlapping holes, screws and dowels for a perfect seal even on walls with double plasterboard and underlying reinforcement.
- Complete with welded terminals to guarantee the closure and continuity of the profile.

## CG.55 CORNER GUARDS Code CG.55

Supply and installation of a newly developed, non-toxic, antibacterial, elastic shock-absorbing,, 55 mm wide corner profile. Available heights: 1200 - 1500 - 2000 - 3000 mm

Composed of:



- A 55 mm wide corner bead, shock-resistant, newly developed LIFE-BLEND® plastic profile. Certified European EN 13823 and EN ISO 11925-2 "B s1 d0" antibacterial certification for medical purposes, with a thickness of 2 mm.
- With fine embossing for a perfect sanitary protection.
- Plastic pigments not containing cadmium or heavy metals, chlorine, phthalates, bromide, halogens or antimony, are amalgamated with the plastic substance.
- Everything is snapped on mounted onto an extruded seamless aluminium profile with high structural rigidity for a perfect elastic shock-absorption.
- Mounted on the wall with anchor bolts for a safe structural strength even on walls with double sheet drywall.
- Can be mounted with specific lag screws.
- Complete with snap-on, self-centering end caps, for perfect sealing, produced with the same LIFE-BLEND® material.
- Remade in Italy certified product of 40% of the total weight of the product. The aluminum core is guaranteed to come from recycled aluminum waste (CER 170402) of at least 75% (one 1 meter aluminum bar and Life-Blend cover, 1 Life-Blend terminal).

## CG.75 CORNER GUARDS Code CG.75

Supply and installation of a newly developed, non-toxic, antibacterial, elastic shock-absorbing, 75 mm wide corner profile. Available heights: 1200 - 1500 - 2000 - 3000 mm

Composed of:



- A 75 mm wide corner bead, shock-resistant, newly developed LIFE-BLEND® plastic profile. Certified European EN 13823 and EN ISO 11925-2 "B s1 d0" antibacterial certification for medical purposes, with a thickness of 2 mm.
- With fine embossing for a perfect sanitary protection.
- Plastic pigments not containing cadmium or heavy metals, chlorine, phthalates, bromide, halogens or antimony, are amalgamated with the plastic substance.
- Everything is snapped on mounted onto an extruded seamless aluminium profile with high structural rigidity a for a perfect elastic shock-absorption.
- Mounted on the wall with anchor bolts for a safe structural strength even on walls with double sheet drywall.
- Can be mounted with specific lag screws.
- Complete with snap-on, self-centering end caps, for perfect sealing, produced with the same LIFE-BLEND® material.
- Remade in Italy certified product of 40% of the total weight of the product. The aluminum core is guaranteed to come from recycled aluminum waste (CER 170402) of at least 75% (one 1 meter aluminum bar and Life-Blend cover, 1 Life-Blend terminal).

# ITEM SPECIFICATIONS

---

## **CGL** **LIGHT CORNER GUARDS protection** Code CGL.25 - CGL.50 - CGL.75 - CGL.100

Supply and installation of an antibacterial, non-toxic, shockproof, 50 or 75 or 100 mm wide corner profile. Available heights: 1200 - 1500 - 2000 - 3000 mm

Composed of:

- A 50 or 75 or 100 mm wide corner bead, shock-resistant, newly developed LIFE-BLEND® plastic profile. Certified European EN 13823 and EN ISO 11925-2 "B s1 d0" antibacterial certification for medical purposes, with a thickness of 2 mm.
- With fine embossing for a perfect sanitary protection.
- Plastic pigments not containing cadmium or heavy metals, chlorine, phthalates, bromide, halogens or antimony, are amalgamated with the plastic substance.
- Mounted on the wall with appropriate glue suitable for a perfect seal.

---

## **CGS** **STAINLESS STEEL CORNER GUARDS** Code CGS.50 - CGS.75

Supply and installation of corner guard in stainless steel AISI 304 brushed finish, 50 or 75 mm wide corner profile. Available heights: 1200 - 1500 - 2000 - 3000 mm

Composed of:

- A 50 or 75 mm wide corner bead, in stainless steel AISI 304, with a thickness of 1,5 mm.
- Mounted on the wall with appropriate glue suitable for a perfect seal

---

## **DC** **DOOR COVERING** Code DC

Supply and installation of a newly developed, non-toxic, antibacterial door coverings sheets.

Composed of:

- Shockproof plastic wall covering sheets made of a newly developed LIFE-BLEND® material.
- Certified European EN 13823 and EN ISO 11925-2 "B s1 d0" antibacterial certification for medical purposes, with a thickness of 1,5 mm.
- With fine embossing for a perfect sanitary protection.
- Plastic pigments not containing cadmium or heavy metals, chlorine, phthalates, bromide, halogens or antimony, are amalgamated with the plastic substance.
- Attached to the door with appropriate glue, suitable for a perfect seal.

## DH

### SEMI-CIRCULAR PROTECTION FOR DOOR HANDLE AREA

Code DH.600 - DH.500 - DH.400

Supplying and installation of a newly developed, shockproof, antibacterial, PVC-free, non-toxic plastic, semi-circular contoured sheets designed to protect the door handle area.  
Composed of:

- Shockproof plastic wall covering sheets made of a newly developed LIFE-BLEND® material. Certified European EN 13823 and EN ISO 11925-2 "B s1 d0" antibacterial certification for medical purposes, with a thickness of 1,5 mm.
- With fine embossing for a perfect sanitary protection.
- Plastic pigments not containing cadmium or heavy metals, chlorine, phthalates, bromide, halogens or antimony, are amalgamated with the plastic substance.
- Mounted on the wall with appropriate glue, suitable for a perfect seal.

## H.40

### HANDRAIL Code H.40

Supply and installation of a newly developed, non-toxic, antibacterial 40 mm diameter handrail, with a strong grip even on double sheet plasterboard.

Composed of:



- A tubular profile with a 40 mm of diameter, shock-resistant plastic design of new concept LIFE-BLEND® Certified European EN 13823 and EN ISO 11925-2 "B s1 d0" antibacterial certification for medical purpose, with a thickness of 2 mm.
- With a smooth finish for a perfect hygienic-sanitary protection.
- Plastic pigments not containing cadmium or heavy metals, chlorine, phthalates, bromide, halogens or antimony, are amalgamated with the plastic substance. Everything is snapped on mounted onto an extruded seamless aluminium profile with high structural rigidity for a perfect grip.
- Mounted on the wall using special brackets, manufactured with aluminium, with two self-centering holes over 47 mm distant from each other for a strong hold on any wall even on a double sheet drywall and has a distance of 57 mm from the wall for a perfect hand-grip.
- Complete with end caps and internal and/or external self-centering corners, inserted into the support for a perfect fit with the cover, manufactured with the same LIFE-BLEND® material.
- Remade in Italy certified product of 35% of the total weight of the product. The aluminum core is guaranteed to come from recycled aluminum waste (CER 170402) of at least 75% (one 1 meter aluminum bar and cover in Life-Blend, 1 terminal in Life-Blend, 1.5 supports in Life-Blend).

## HC.250

### HEAVY CRASHRAIL Code HC.250

Supply and installation of crashrails made of black elastomer, with a honey-comb cross section structure, perfect for heavy-duty shocks.

Composed of:

- A 250 mm high and 9 mm thick crashrail in black elastomer ideal for high intensity impacts.
- Complete with special zinced steel end caps to protect the rubber profile from lateral crashes.



# ITEM SPECIFICATIONS

## HL.40

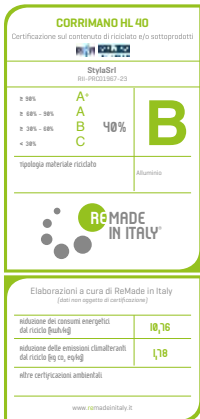
### LIGHT HANDRAIL

Code HL.40

Supply and installation of a newly developed, non-toxic, antibacterial 40 mm diameter handrail, with a strong grip even on double sheet plasterboard.

Composed of:

- A tubular profile with a 40 mm of diameter, shock-resistant plastic design of new concept LIFE-BLEND® Certified European EN 1382 and EN ISO 11925-2 "B s1 d0" antibacterial certification for medical purpose, with a thickness of 2 mm.
- With a smooth finish for a perfect hygienic-sanitary protection.
- Plastic pigments not containing cadmium or heavy metals, chlorine, phthalates, bromide, halogens or antimony, are amalgamated with the plastic substance.
- Everything is snapped on mounted onto an extruded seamless aluminium profile with high structural rigidity for a perfect grip.
- Mounted on the wall using special brackets, manufactured with the same LIFE-BLEND® material, with two self-centering holes over 38 mm distant from each other for a strong hold on any wall even on a double sheet drywall and has a distance of 57 mm from the wall for a perfect hand-grip.
- Complete with end caps and internal and/or external self-centering corners, inserted into the support for a perfect fit with the cover, manufactured with the same LIFE-BLEND® material.
- Remade in Italy certified product of 40% of the total weight of the product. The aluminum core is guaranteed to come from recycled aluminum waste (CER 170402) of at least 75% (one 1 meter aluminum bar and cover in Life-Blend, 1 terminal in Life-Blend, 1.5 supports in Life-Blend).



## HS.34

### STAINLESS STEEL HANDRAIL

Code HS.34

Supply and installation of a 34 mm diameter stainless steel handrail, with stainless steel endcaps and brackets, having a strong hold even on double sheet plasterboard.

Composed of:

- A stainless steel 34 mm diameter handrail.
- Mounted on the wall using special stainless steel brackets with three self-centering holes, over 38 mm distant from each other for a strong grip on any wall, even on a double sheet plasterboard, and distant 58 mm from the wall for a perfect hand-grip.
- Complete with stainless steel end caps and internal and/or external dovetailed, self-centering corners, inserted into the support for a perfect fit with the handrail.

## HWS.34

### HANDRAIL WOOD AND STAINLESS STEEL

Code HWS.34

Supply and installation of a 34 mm diameter ash timber handrail, with stainless steel endcaps and brackets, having a strong hold even on double sheet plasterboard.

Composed of:

- A 34 mm diameter varnished ash timber handrail.
- Mounted on the wall using special stainless steel brackets with three self-centering holes, over 38 mm distant from each other for a strong grip on any wall, even on a double sheet drywall, and distant 58 mm from the wall for a perfect hand-grip.
- Complete with stainless steel end caps and internal and/or external self-centering corners, inserted into the support for a perfect fit with the timber (handrail).

## P.200

### RECTANGULAR BUMPER GUARDS Code P.200



Supply and installation of heavy, newly developed, rectangular, non-toxic, antibacterial, 200 mm high elastic shock-absorbing bumper guards.

Composed of:

- A rectangular 200 mm height, shock-resistant, newly developed LIFE-BLEND® plastic profile. Certified European EN 13823 and EN ISO 11925-2 "B s1 d0" antibacterial certification for medical purposes, with a thickness of 2 mm.
- With fine embossing for a perfect sanitary protection.
- Plastic pigments not containing cadmium or heavy metals, chlorine, phthalates, bromide, halogens or antimony, are amalgamated with the plastic substance.
- Everything is snapped on mounted onto an extruded seamless aluminium profile with high structural rigidity for a perfect grip.
- Mounted on the wall with anchor bolts for a perfect seal even with double sheet drywall.
- Complete with end caps, internal or external dovetailed, self-centering corners, inserted into the support for a perfect fit with the cover, produced with the same LIFE-BLEND® material.
- Remade in Italy certified product of 50% of the total weight of the product. The aluminum core is guaranteed to come from recycled aluminum waste (CER 170402) of at least 75% (one 1 meter aluminum bar and Life-Blend cover, 1 Life-Blend terminal).

## P.200L

### RECTANGULAR BUMPER GUARDS Code P.200L

Supply and installation of heavy, newly developed, rectangular, non-toxic, antibacterial, 200 mm high elastic shock-absorbing bumper guards.

Composed of:

- A rectangular 200 mm height, shock-resistant, newly developed LIFE-BLEND® plastic profile. Certified European EN 13823 and EN ISO 11925-2 "B s1 d0" antibacterial certification for medical purposes, with a thickness of 2 mm.
- With fine embossing for a perfect sanitary protection.
- Plastic pigments not containing cadmium or heavy metals, chlorine, phthalates, bromide, halogens or antimony, are amalgamated with the plastic substance.
- Everything is snapped on mounted on aluminium brackets with high structural rigidity for a perfect grip.
- Mounted on the wall with anchor bolts for a perfect seal even with double sheet drywall.
- Complete with end caps, internal or external dovetailed, self-centering corners, inserted into the support for a perfect fit with the cover, produced with the same LIFE-BLEND® material.

## SH

### SHEETS STRIPES Code SH.25.1300 (cut stripes)

Code SH.T650-SH.T400-SH.T300-SH.T250-SH.T200-SH.T150-SH.T100

Supply and installation of a newly developed, non-toxic, antibacterial wall covering sheets or stripes.

Composed of:

- Shockproof plastic wall covering sheets or stripes made of a newly developed LIFE-BLEND® material. Certified European EN 13823 and EN ISO 11925-2 "B s1 d0" antibacterial certification for medical purposes, with a thickness of 1,5 mm.
- With fine embossing for a perfect sanitary protection.
- The joining of the sheets is obtained by using superior finished profiles and vertical and/or horizontal junctions manufactured with the same LIFE-BLEND® material.
- Plastic pigments not containing cadmium or heavy metals, chlorine, phthalates, bromide, halogens or antimony, are amalgamated with the plastic substance.
- Mounted on the wall with appropriate glue, suitable for a perfect seal.

# ITEM SPECIFICATIONS

## SHP

### PRINTED SHEETS

Code SHP.25.1300

### PRINTED STRIPES

(cut sheets)

Code SHP.T650 - SHP.T400 - SHP.T300 - SHP.T250 - SHP.T200 - SHP.T150 - SHP.T100

Supply and installation of a newly developed, non-toxic, antibacterial wall covering sheets or stripes.

Composed of:

- Shockproof plastic wall covering sheets or stripes made of a newly developed LIFE-BLEND® material. Certified European EN 13823 and EN ISO 11925-2 "B s1 d0" antibacterial certification for medical purposes, with a thickness of 1,5 mm.
- With fine embossing for a perfect sanitary protection.
- The joining of the sheets is obtained by using superior finished profiles and vertical and/or horizontal junctions manufactured with the same LIFE-BLEND® material.
- Transparent plate decorated with non-toxic permanent print. The plate material does not contain cadmium and heavy metals, chlorine, phthalates, bromide, halogens and antimony.
- Mounted on the wall with appropriate glue, suitable for a perfect seal.

## SK.100

### MEDICAL SKIRTING

Code SK.100

Supply and installation of a 100 mm high, floor / wall connection, with sanitary coving, antibacterial, non-toxic.

Composed of:

- Extruded 100 mm high, shock-resistant newly developed LIFE-BLEND® plastic profile. Certified European EN 13823 and EN ISO 11925-2 "B-s1,d0" antibacterial certification for medical purposes, with a thickness of 2 mm.
- Internal and external angular molded corners, shock-resistant plastic design of new concept LIFE-BLEND®.
- With fine embossing for a perfect sanitary protection.
- Plastic pigments not containing cadmium or heavy metals, chlorine, phthalates, bromide, halogens or antimony, are amalgamated with the plastic substance.
- Mounted on the wall with appropriate glue, suitable for a perfect seal.

## WB.125

### BUMPER GUARD WOOD EFFECT

Code WB.125

Supply and installation of elliptical, newly developed, non-toxic, antibacterial, 125 mm high elastic shock-absorbing bumper guards.

Composed of:

- An elliptical 125 mm height, shock-resistant, newly developed LIFE-BLEND® plastic profile. Certified European EN 13823 and EN ISO 11925-2 "B s1 d0" antibacterial certification for medical purposes, with a thickness of 2 mm.
- With fine embossing for a perfect sanitary protection.
- Plastic pigments not containing cadmium or heavy metals, chlorine, phthalates, bromide, halogens or antimony, are amalgamated with the plastic substance.
- Everything is snapped on mounted onto an extruded seamless aluminium profile with high structural rigidity for a perfect grip.
- Mounted on the wall with anchor bolts for a perfect seal even with double sheet drywall.
- Complete with end caps and/or external self-centering corners, inserted into the support for a perfect fit with the cover, produced with the same LIFE-BLEND® material.
- DIP-PRINT wood or material finish effect.
- Remade in Italy certified product of 40% of the total weight of the product. The aluminum core is guaranteed to come from recycled aluminum waste (CER 170402) of at least 75% (one 1 meter aluminum bar and Life-Blend cover, 1 Life-Blend terminal).



## WBH.170

### BUMPER HANDRAIL WOOD EFFECT

Code WBH.170

Supply and installation of a newly developed, non-toxic, antibacterial 140 mm high elastic shock-absorbing bumper handrail.

Composed of:

- A tubular 40 mm profile with a diameter and an elliptical 125 mm wide profile with a newly developed shock-resistant LIFE-BLEND® plastic design. Certified European EN 13823 and EN ISO 11925-2 "B s1 d0" antibacterial certification for medical purposes, with a thickness of 2 mm.
- A colored insert link with a 1,5 mm of thickness between the handrail and the bumper of the same newly developed shock-resistant LIFE-BLEND® plastic material.
- With a smooth finishing on the handrail and fine embossing on the bumper for a perfect hygienic-sanitary protection.
- Plastic pigments not containing cadmium or heavy metals, chlorine, phthalates, bromide, halogens or antimony, are amalgamated with the plastic substance. Everything is snapped on mounted onto an extruded seamless aluminium profile with high structural rigidity for a perfect hand-grip.
- DIP-PRINT wood or material finish effect
- Mounted on the wall using special brackets with a pair of self-centering offset holes, over 63 mm distant from each other for a strong grip on any wall, even on a double sheet drywall, made of the same LIFE-BLEND® material and distant 60 mm from the wall for a perfect hand-grip.
- Complete with end caps and external dovetailed, self-centering corners, inserted into the support for a perfect fit with the cover, produced with the same LIFE-BLEND® material.
- Remade in Italy certified product of 40% of the total weight of the product. The aluminum core is guaranteed to come from recycled aluminum waste (CER 170402) of at least 75% (one 1 meter aluminum bar and cover in Life-Blend, 1 terminal in Life-Blend, 1.5 supports in Life-Blend).



## WCGL

### LIGHT CORNER GUARDS WOOD EFFECT

Code WCGL.25 - WCGL.50

Supply and installation of an antibacterial, non-toxic, shockproof, 50 or 75 or 100 mm wide corner profile.

Available heights: 1200 - 1500 - 2000 - 3000 mm

Composed of:

- A 50 or 75 or 100 mm wide corner bead, shock-resistant, newly developed LIFE-BLEND® plastic profile. Certified European EN 13823 and EN ISO 11925-2 "B s1 d0" antibacterial certification for medical purposes, with a thickness of 2 mm.
- With fine embossing for a perfect sanitary protection.
- Plastic pigments not containing cadmium or heavy metals, chlorine, phthalates, bromide, halogens or antimony, are amalgamated with the plastic substance.
- DIP-PRINT wood or material finish effect.
- Mounted on the wall with appropriate glue suitable for a perfect seal.

## WHL.40

### LIGHT HANDRAIL WOOD EFFECT

Code WHL.40

Supply and installation of a newly developed, non-toxic, antibacterial 40 mm diameter handrail, with a strong grip even on double sheet plasterboard.

Composed of:

- A tubular profile with a 40 mm of diameter, shock-resistant plastic design of new concept LIFE-BLEND® Certified European EN 13823 and EN ISO 11925-2 "B s1 d0" antibacterial certification for medical purpose, with a thickness of 2 mm.
- With a smooth finish for a perfect hygienic-sanitary protection.
- Wood finish not containing cadmium or heavy metals, chlorine, phthalates, bromide, halogens or antimony, are amalgamated with the plastic substance.
- Everything is snapped on mounted onto an extruded seamless aluminium profile with high structural rigidity for a perfect grip.
- Mounted on the wall using special brackets, manufactured with aluminium, with two self-centering holes over 47 mm distant from each other for a strong hold on any wall even on a double sheet drywall and has a distance of 57 mm from the wall for a perfect hand-grip.
- Complete with end caps and internal and/or external self-centering corners, inserted into the support for a perfect fit with the cover, manufactured with the same LIFE-BLEND® material.
- Remade in Italy certified product of 45% of the total weight of the product. The aluminum core is guaranteed to come from recycled aluminum waste (CER 170402) of at least 75% (one 1 meter aluminum bar and Life-Blend cover, 1 Life-Blend terminal, 1.5 aluminum supports).



# ITEM SPECIFICATIONS

---

## **YHL.40**     **LIGHT HANDRAIL ALU**     Code YHL.40

Supply and installation of a newly developed, non-toxic, antibacterial 40 mm diameter handrail, with a strong grip even on double sheet plasterboard.

Composed of:

- A tubular profile with a 40 mm of diameter, shock-resistant plastic design of new concept LIFE-BLEND® Certified European EN 1382 and EN ISO 11925-2 "B s1 d0" antibacterial certification for medical purpose, with a thickness of 2 mm.
  - With a smooth finish for a perfect hygienic-sanitary protection.
  - Plastic pigments not containing cadmium or heavy metals, chlorine, phthalates, bromide, halogens or antimony, are amalgamated with the plastic substance.
  - Everything is snapped on mounted onto an extruded seamless aluminium profile with high structural rigidity for a perfect grip.
  - Mounted on the wall using special brackets, manufactured in die-cast aluminium, with two self-centering holes over 47 mm distant from each other for a strong hold on any wall even on a double sheet drywall and has a distance of 57 mm from the wall for a perfect hand-grip.
- Complete with end caps and internal and/or external self-centering corners, inserted into the support for a perfect fit with the cover, manufactured with the same LIFE-BLEND® material.

---

## **YWHL.40**     **LIGHT HANDRAIL WOOD EFFECT**     Code YWHL.40

Supply and installation of a newly developed, non-toxic, antibacterial 40 mm diameter handrail, with a strong grip even on double sheet plasterboard.

Composed of:

- A tubular profile with a 40 mm of diameter, shock-resistant plastic design of new concept LIFE-BLEND® Certified European EN 13823 and EN ISO 11925-2 "B s1 d0" antibacterial certification for medical purpose, with a thickness of 2 mm.
- With a smooth finish for a perfect hygienic-sanitary protection.
- Wood finish not containing cadmium or heavy metals, chlorine, phthalates, bromide, halogens or antimony, are amalgamated with the plastic substance.
- Everything is snapped on mounted onto an extruded seamless aluminium profile with high structural rigidity for a perfect grip.
- Mounted on the wall using special brackets, manufactured with die-cast aluminium, with two self-centering holes over 47 mm distant from each other for a strong hold on any wall even on a double sheet drywall and has a distance of 57 mm from the wall for a perfect hand-grip.
- Complete with end caps and internal and/or external self-centering corners, inserted into the support for a perfect fit with the cover, manufactured with the same LIFE-BLEND® material.











ed. 2024-05

@Styla S.r.l., 2024

Styla S.r.l. reserves the right to make dimensional and technical changes without notice

## **STYLA S.r.l.**

PIVA 02825620160

Via Enrico Fermi 52/o

24035 Curno (BG) - Italia

Tel. +39 035 41.56.329

[info@styla.it](mailto:info@styla.it)

[www.styla.it](http://www.styla.it)